

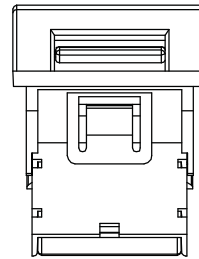
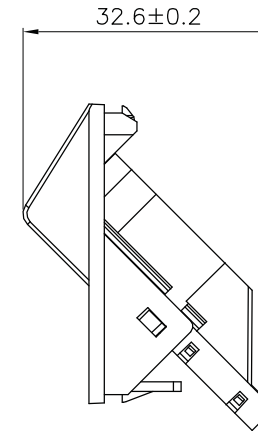
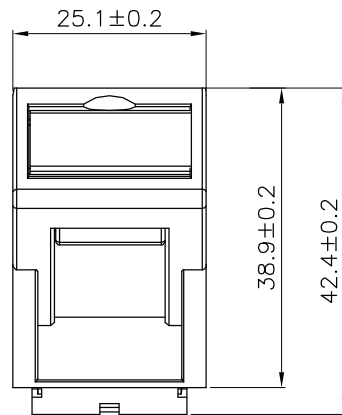
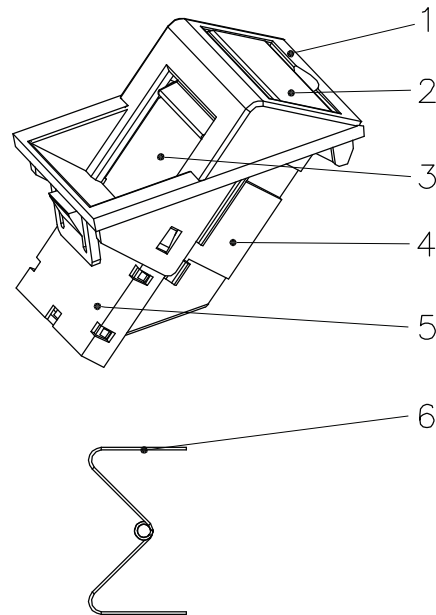
1 2 3 4 5 6

A

B

C

D



Specification :

Material :

1. 45° Plate : ABS, UL 94-HB, with Black color.
2. Identification :
  - 2-1. I.D. Plate : PC UL 94V-2, Transparent color.
  - 2-2. Paper.
3. Shutter : ABS, UL 94-HB, with Black color.
4. Back Cover : ABS, UL 94-HB, with white color.
5. Spring Cover : ABS, UL 94-HB, with white color.
6. Spring : Stainless steel.



GENERAL TOLERANCE OF DIMENSIONS X.XXX ±0.005 X.XX ±0.05 X.X ±0.1	DRAWING	17.FEB.2016	LP	<b>Maxxam</b>
	CHECK	17.FEB.2016	DAY	
	APPROVAL	17.FEB.2016	JAIMY	
		DATE	NAME	ITEM NO.: <b>XXP1011</b>
SCALE	1/1 (A4)	UNIT	mm	DES.: MODULAR INSERT 1 PORT ANGLE
		DRAWING NO. SAIQA010110000400001 JE339A/BK(SA1)		
		DRAWING CLASSIFICATION	S SHEET	

1 2 3 4 5 6  
0 10cm

A

B

C

D