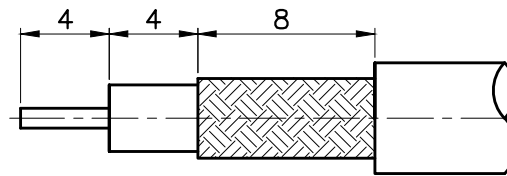
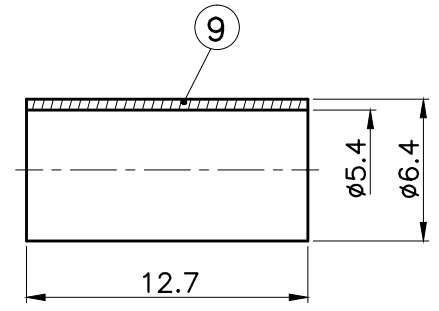
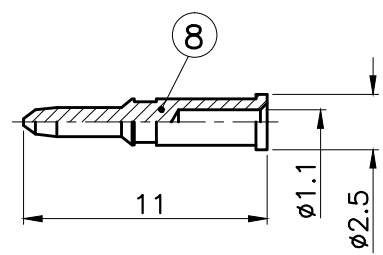
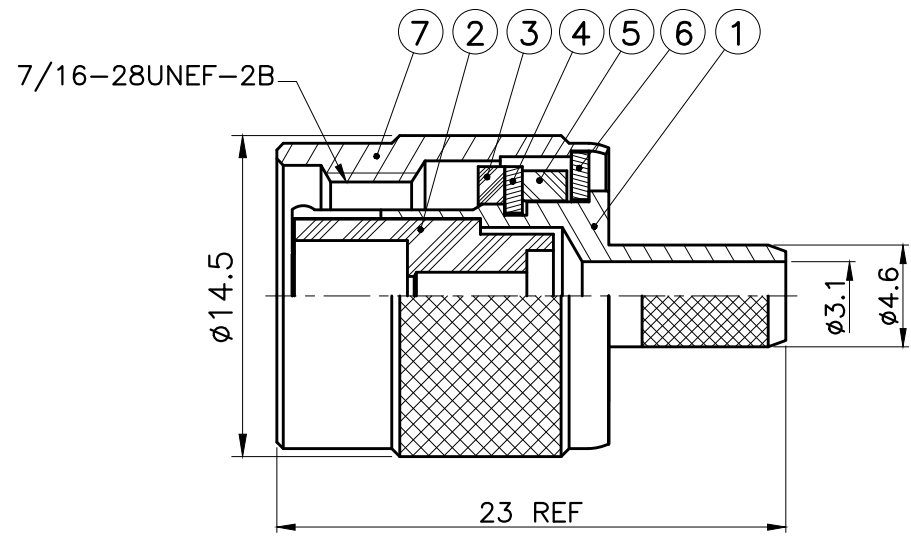


REVISIONS		
ISS	DESCRIPTION	DATE



RoHS COMPLIANT

RECOMMENDED
CABLE STRIPPING DIM'S



1. CRIMPED FERRULE
HEX CRIMP SIZE .213"
2. CRIMPED CONTACT PIN
HEX CRIMP SIZE .068"

TITLE: TNC MALE CRIMP	APRD:	UNLESS OTHERWISE SPECIFIED TOLERANCES 0.5-6 = ±0.2 >6-30 = ±0.4 >30-120 = ±0.6 >120-315 = ±1 >315-1000 = ±1.6 ANGLES = ±5°	9 FERRULE	BRASS	NICKEL	KA/2005/10527\ KA/2005/60362	1
	CHKD:		8 CONTACT PIN	BRASS	GOLD	KA/2005/10527\ KA/2005/30993	1
	DR:		7 SHELL	BRASS	NICKEL	KA/2005/10527\ KA/2005/60362	1
PART NO: TNC1-58	DATE: 07/11/06"	UNIT: mm	6 WASHER	STEEL	NICKEL	KA/2005/10523\ KA/2005/60362	1
DRAWING NO: 51004-021(T004B058)	SHEET: .	SCALE: 3/1	5 RING	DELTRIN	WHITE	KA/2005/10531	1
			4 WASHER	STEEL	NICKEL	KA/2005/10523\ KA/2005/60362	1
			3 GASKET	PVC	RED	KA/2005/10533	1
			2 INSULATOR	DELTRIN	WHITE	KA/2005/10531	1
			1 BODY	BRASS	NICKEL	KA/2005/10527\ KA/2005/60362	1
			NO. DESCRIPTION	MATERIAL	FINISH	SGS REPORT NO	Q'TY