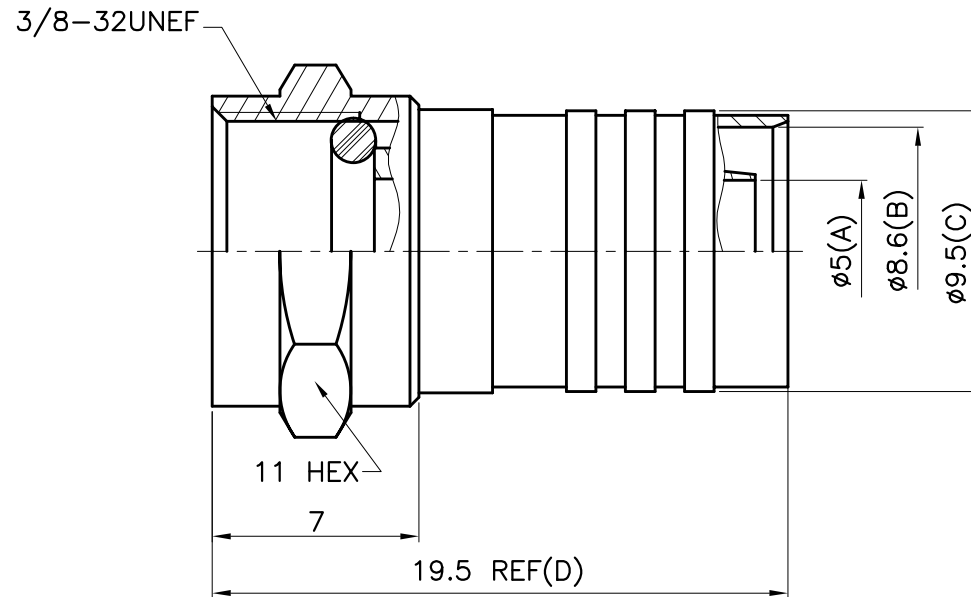


REVISIONS	
ISS	DESCRIPTION\DATE

RoHS COMPLIANT



TITLE: F MALE ATTACHED RING (FOR RG6/U)		APRD:	UNLESS OTHERWISE SPECIFIED TOLERANCES 0.5-6 = ± 0.2 >6-30 = ± 0.4 >30-120 = ± 0.6 >120-315 = ± 1 >315-1000 = ± 1.6 ANGLES = $\pm 5^\circ$			
PART NO: F1-100		CHKD:		O RING	RUBBER	BLACK
DRAWING NO: 52008-034(F008B006) 062		DR:		SHELL	BRASS	NICKEL
DATE: 08/13/12" UNIT: mm			BODY	BRASS	NICKEL	
SHEET: . SCALE: 4/1			BODY	BRASS	NICKEL	
			NO. DESCRIPTION	MATERIAL	FINISH	