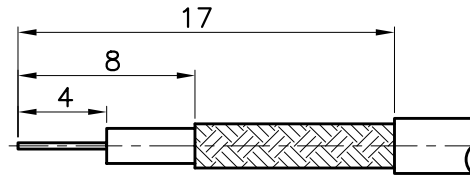
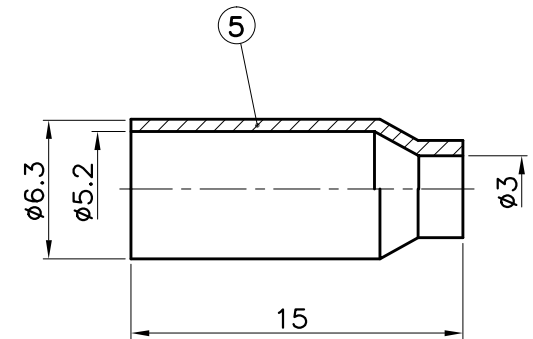
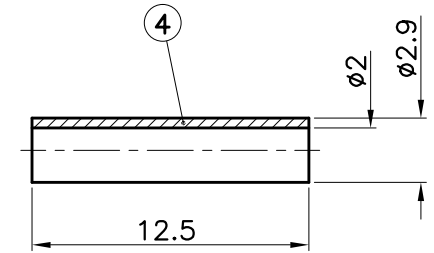
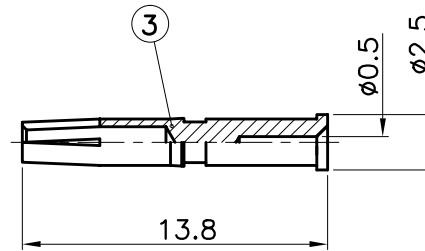
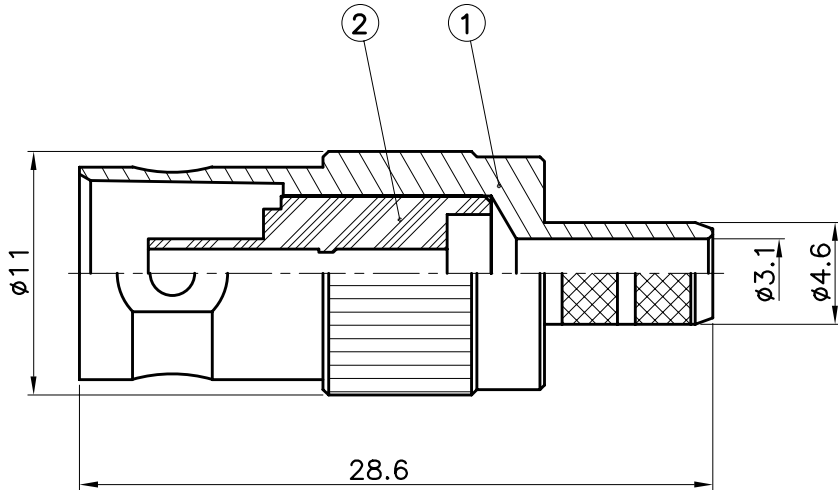


REVISIONS	
ISS	DESCRIPTION \ DATE



RoHS COMPLIANT

RECOMMENDED
CABLE STRIPPING DIM'S



1. CRIMPED FERRULE
HEX CRIMP SIZE .213"
2. CRIMPED CONTACT PIN
HEX CRIMP SIZE .068"

TITLE: BNC FEMALE CRIMP (75 ohms) (FOR RG179)	APRD:	UNLESS OTHERWISE SPECIFIED TOLERANCES 0.5-6 = ±0.2 >6-30 = ±0.4 >30-120 = ±0.6 >120-315 = ±1 >315-1000 = ±1.6 ANGLES = ±5°					
	CHKD:		5 FERRULE	BRASS	NICKEL	KA/2005/10527 \	KA/2005/60362
	DR:		4 SPACER	DELIN	WHITE	KA/2005/10531	
PART NO: BNC4-179	DATE: 05/22/06"	UNIT: mm	3 CONTACT PIN	BRASS	GOLD	KA/2005/10527 \	KA/2005/30993
DRAWING NO: 50665-160(B007B179-75)	SHEET: .	SCALE: 3/1	2 INSULATOR	DELIN	WHITE	KA/2005/10531	
			1 BODY	BRASS	NICKEL	KA/2005/10527 \	KA/2005/60362
			NO. DESCRIPTION	MATERIAL	FINISH	SGS REPORT NO	