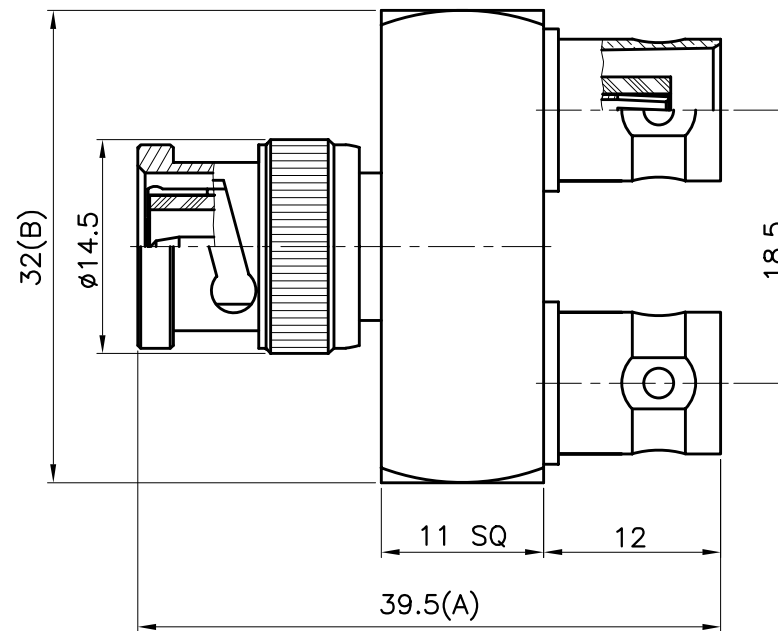


REVISIONS	
ISS	DESCRIPTION\DATE

RoHS COMPLIANT



APRD:	UNLESS OTHERWISE SPECIFIED TOLERANCES 0.5-6 = ±0.2 >6-30 = ±0.4 >30-120 = ±0.6 >120-315 = ±1 >315-1000 = ±1.6 ANGLES = ±5°	SHELL	BRASS	NICKEL
CHKD:		WASHER	STEEL	NICKEL
DR:		SPRING	STEEL	NICKEL
		C RING	STEEL	NICKEL
TITLE: BNC MALE TO DOUBLE FEMALE Y STYLE		GASKET	RUBBER	RED
PART NO: BNC26		CONTACT PIN	BRASS	GOLD
DRAWING NO: 20017-005(A003Y000) 030		INSULATOR	DELTRIN	WHITE
DATE: 07/19/12"	UNIT: mm	BODY	BRASS	NICKEL
SHEET: .	SCALE: 2/1	NO. DESCRIPTION	MATERIAL	FINISH