

1

2

3

4

5

6

A

A

B

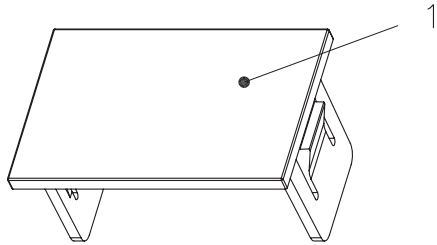
B

C

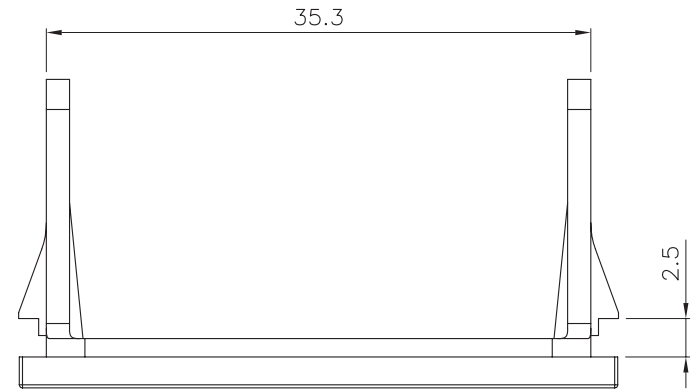
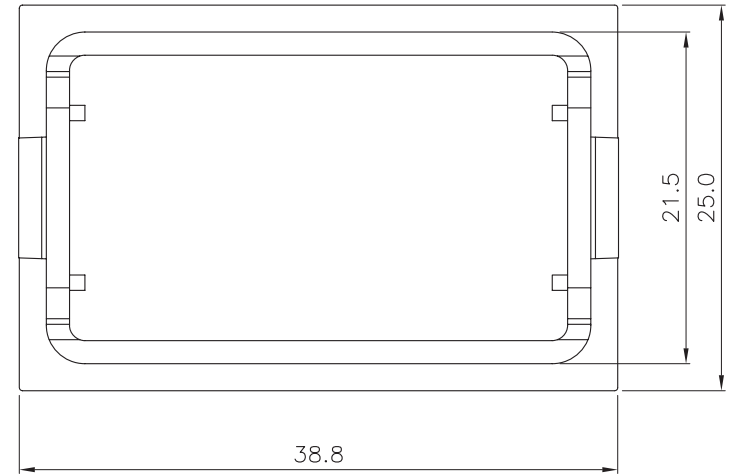
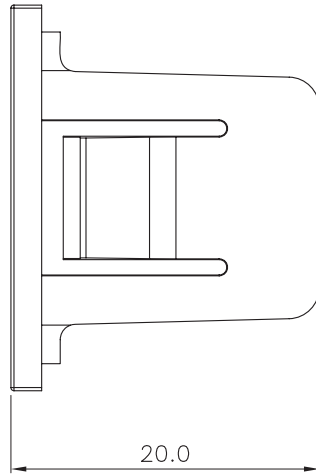
C

D

D



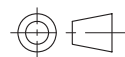
SCALE 1/1



Specification :

Material :
 1. Blank Insert : ABS, UL 94-HB.

GENERAL TOLERANCE OF DIMENSIONS x.xxx ±0.005 x.xx ±0.05 x.x ±0.1	DRAWING	24.FEB.2009	CXC		
	CHECK	24.FEB.2009	JANE		
	APPROVAL	24.FEB.2009	JAIMY		
		DATE	NAME	ITEM NO.: 72 3373	
	SCALE	2/1 (A4)	UNIT	mm	DES.: Blank Insert
	DRAWING NO. JE333A-Blank(SA1)				DRAWING CLASSIFICATION
			S	SHEET	



1

2

0

3

4

10cm

5

6