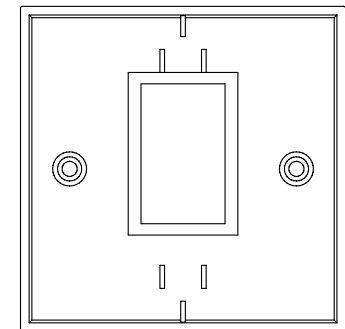
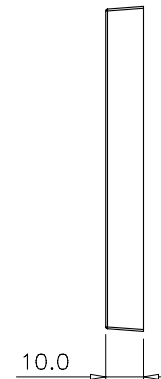
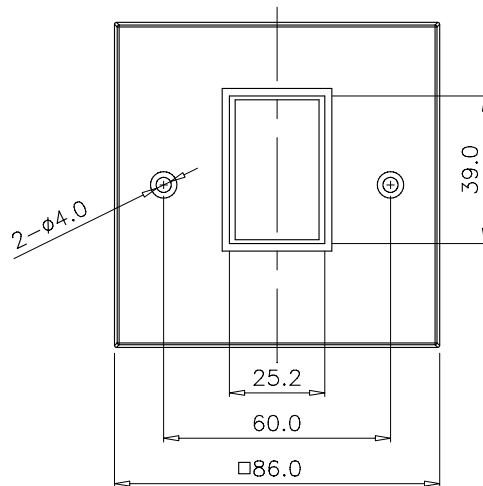


SCALE 1/2



Specification :

Material :

- 1. Plate : ABS, UL 94-HB.
- 2. Screw : M3.5 X L25.0 mm.

| | | | | |
|--------------------|-----------------|---------------------------------|-------------|------------------|
| | DSGN | Wei | 29.MAR.2010 | ITEM NO: 72 3370 |
| | CHK | kli | 29.MAR.2010 | |
| | UNIT | M/M | APPR | Yty |
| SCALE | 1/4 | E.U. 333A Modular Plate, 1 port | | |
| DWG NO: JE314/1 | Velocity | | | |