

Technical requirement 技术参数 :

1. Electrical Characteristics Test 电气性能检验

- 1.1 Products 100% for electrical test. 成品100%电性测试.
- 1.2 Insulation resistance: No less than 100MΩ of 500V DC/0.4S.
绝缘阻抗: 大于或等于100MΩ 500V DC/0.4S.
- 1.3 Dielectric strength 耐电压

- 1.3.1 Between two conductors 2500^{+200}_0 V AC for 1.0s Trip-current 1.0mA max.
导体与导体之间 2500^{+200}_0 V AC /1秒, 漏电流1.0mA(max).
- 1.3.2 Between conductor and body 4000^{+200}_0 V AC for 1.0s - Trip current 1.0mA max.
导体与本体之间 4000^{+200}_0 V AC /1秒, 漏电流1.0mA(max).

2. Mechanical Characteristics Test 机械性能检验

- 2.1. Withdrawal force 拔出力
- 2.1.1 For checking each PIN independently from the standard-gauge below 2.0N(Min) Keep for 3S or more.
标准量规对连接器插孔单PIN保持力为最小2.0N保持3秒以上.
- 2.1.2 For checking Integral withdrawal force 60N(Max) from maximum standard gauge. 标准量规(最大值)检查整体拔出力 60N(最大).

3. Finished product conditions 成品状态

- 3.1 The attachment plug front show the test mark of "T".
插头主视面须有测试标志"T".
- 3.2 The dimension with "X" must be control and inspected importantly.
带"X"尺寸需重点管控和检验.

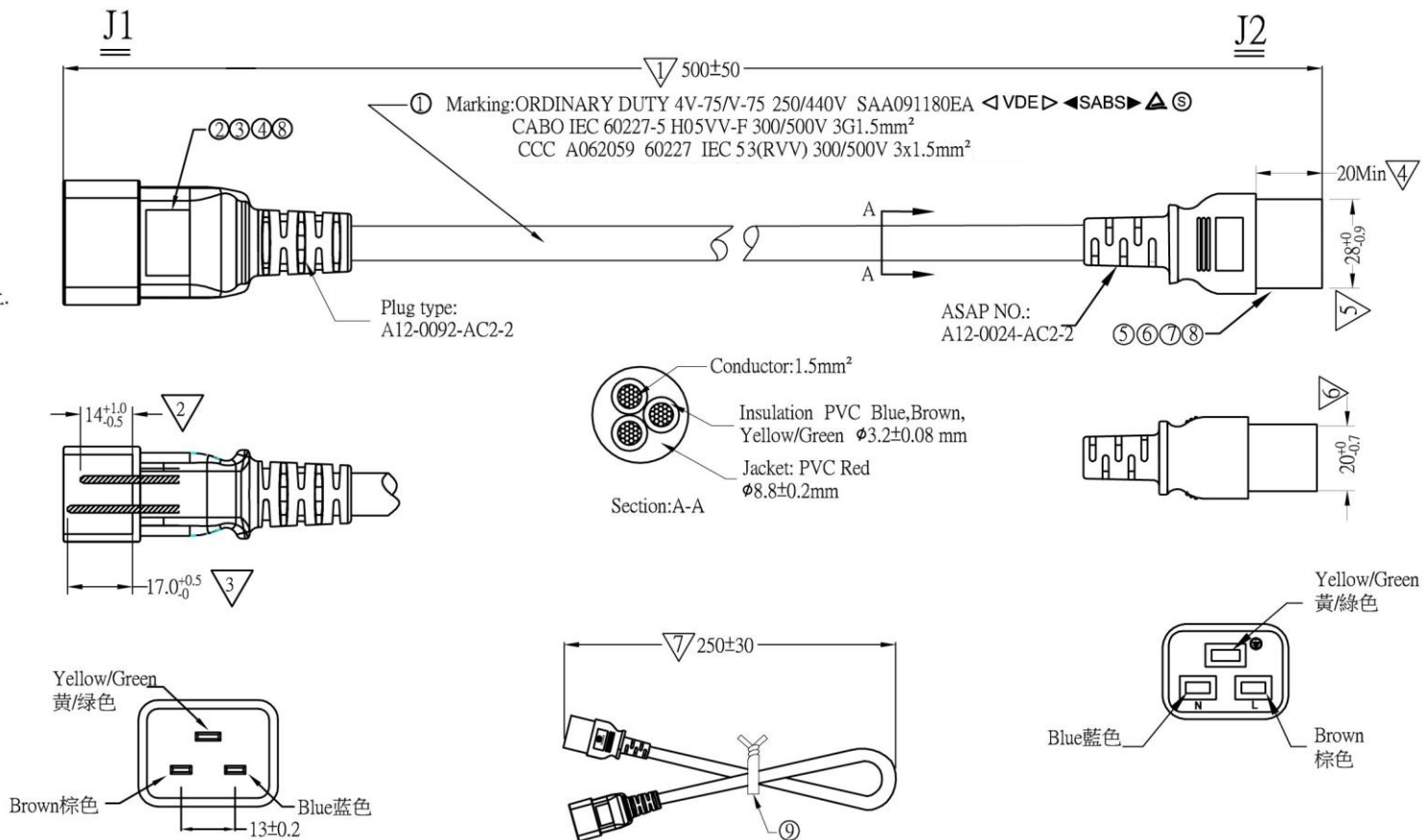
4. Standards 标准

- 4.1 The cord shall comply with IEC 60227. 线材符合 IEC 60227.
- 4.2 The plug and connector shall comply with IEC 60320,
插头和连接器须符合 IEC 60320;

Wiring method 接线方式 :

- J1 cord J2
- E — Yellow/Green 黄/绿 — E
- L — Brown 棕色 — L
- N — Blue 蓝色 — N

REV.	DESCRIPTION	DESIGN	APPROVAL	DATE
B	ECN16-0000013171(change warping dimension)	Hongmei	XL Deng	2016.05.16
C	Change the customer P/N	DanPeng	XL Deng	2017.07.28
D	500000131545(remove "S" from CCC mark)	Hongmei Hu	Hongjiang Zhu	2021.07.14



ITEM	NAME	DESCRIPTION	Q'TY	UNIT
⑨	TIE	Black PE tie hanking cord and meeting RoHS.	PCS	1
⑧	PLASTIC	55P Red PVC pellets meeting RoHS and UL94 V-0.	KG	
⑦	TERMINAL	2X5U type contact terminal with wing for C19 connector,	PCS	3
⑥	HOUSING	Down cover of C19 , PBT material, black	PCS	1
⑤	HOUSING	Upper cover of C19 , PBT material, black	PCS	1
④	HOLDER	Holder , PBT material, Red.	PCS	1
③	BLADE	Blade 2x6mm, copper,nickel-plated	PCS	1
②	BLADE	Blade 2x5mm, copper,nickel-plated	PCS	2
①	POWER CORD	H05VV-F 3G1.5mm2,Red.	MM	NA

X.±	X.°±
.X±	.X°±
.XX±	.XX°±
.XXX±	.XXX°±
UNITS	mm

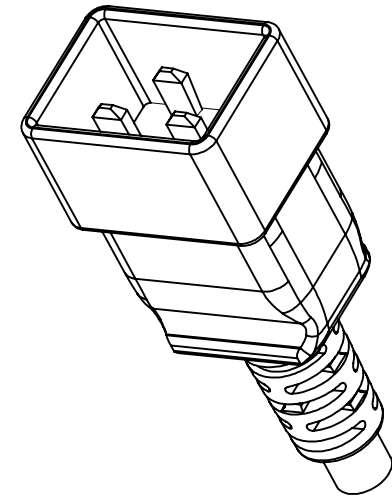
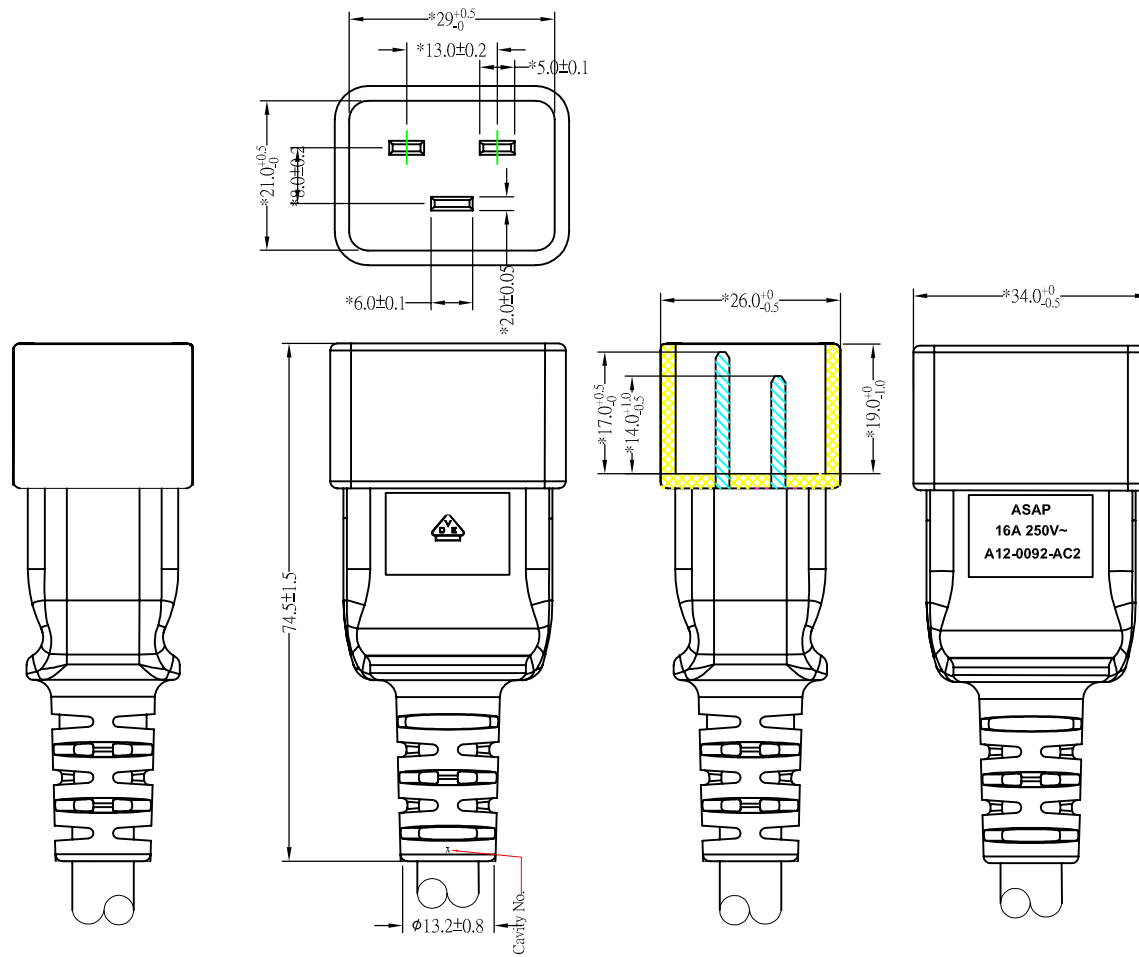
PART NO:		TITLE:	
L8CAC080-QT-N		VDE C20 To C19 L0.5m pantone 1795c Red	
APPD:		DWG NO:	
Hongjiang Zhu		ACRDN16030038-017	
CHKD:		SCALE	
Guangren Ouyang		NONE	
DRAW:		SHEET	
Hongmei Hu		1/1	
		REV.	
		D	

P/N:42-2730

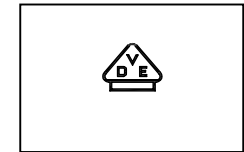


NOTE:
 Technical Requirement: The dimension with " * " is for safety standard.

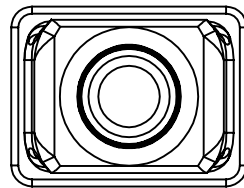
REV.	DESCRIPTION	DESIGN	APPROVAL	DATE
A	NEW	JING LIU	QS LIU	2017.10.06

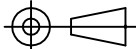


ASAP
16A 250V~
A12-0092-AC2



Marking

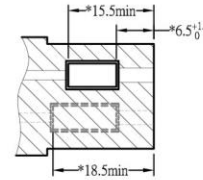
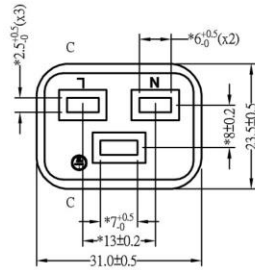


X. ± 0.6	X.° $\pm 1^\circ$	DWG TYPE: PRODUCT DRAWING	TITLE: IEC C20 PLUG			
.X ± 0.4	.X° $\pm 0.6^\circ$					
.XX ± 0.10	.XX° $\pm 0.3^\circ$	MOUID NO: AC-C0092-x	DWG NO: A12-0092-AC2-2			
UNITS	mm	APPD: 欧阳光仁				
		CHKD: 刘秋顺		SCALE	SHEET	REV.
		DRAW: 刘景		NONE	1/1	A

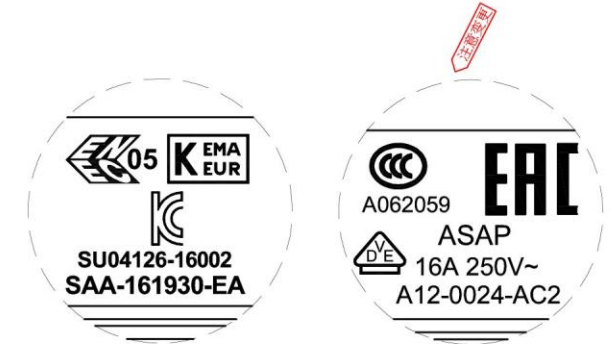
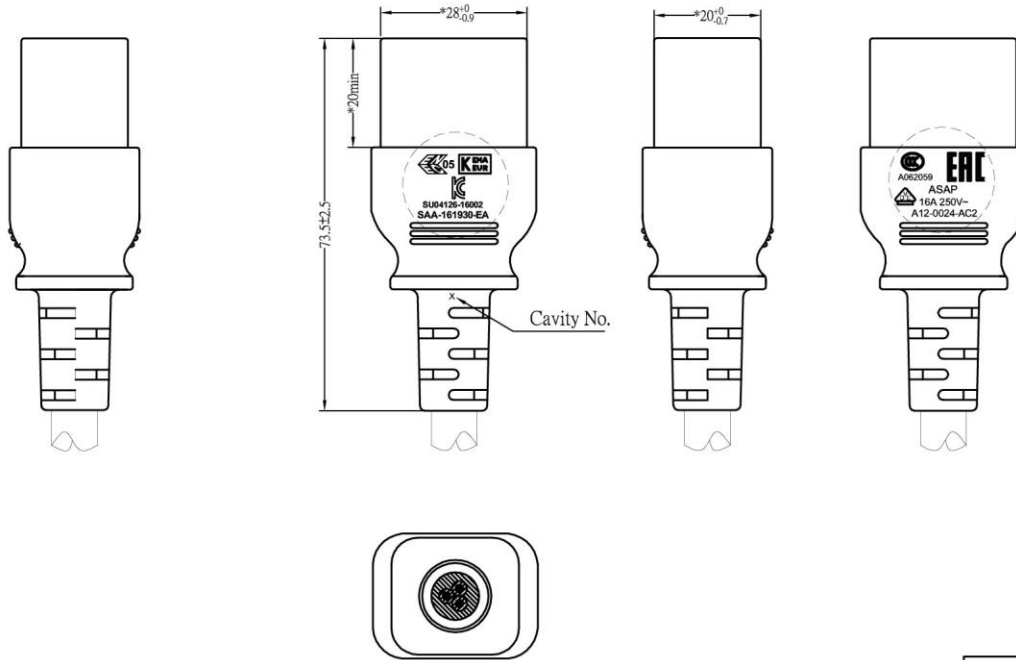
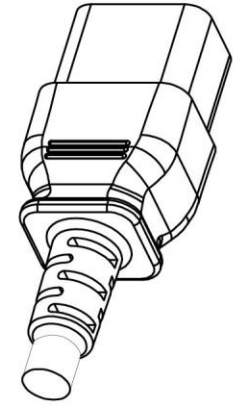
NO.	SPECIFICATION	Remark
1	H05VV-F 3*1.5 OD:8.8	Round Cable

NOTE:
 Technical Requirement: The dimension with " * " is for safety standard.

REV.	DESCRIPTION	DESIGN	APPROVAL	DATE
A	NEW	Mark Chen	QS LIU	2019.04.09
B	端面增加倒R角	FG HU	QS LIU	2020.05.14



SECTION C-C



Marking 2.5:1

1	H05VV-F 3*1.5 OD:8.8	Round Cable
NO.	SPECIFICATION	Remark

X. :±0.6	X.° :±1°	DWG TYPE: PRODUCT DRAWING	TITLE: C19 Connector			
.X :±0.4	.X° :±0.6°					
.XX:±0.10	.XX°:±0.3°	MOUID NO: AC-C0024-x	DWG NO: A12-0024-AC2-2			
UNITS	mm	APPD:朱红江				
		CHKD:刘秋顺		SCALE	SHEET	REV.
		DRAW:Make chen		NONE	1/1	B