

Technical requirement 技术参数 :

1. Electrical Characteristics Test 电气性能检验

- 1.1 Products 100% for electrical test. 成品100%电性测试.
- 1.2 Insulation resistance: No less than 100MΩ of 500V DC/0.4S.
绝缘阻抗: 大于或等于100MΩ 500V DC/0.4S.
- 1.3 Dielectric strength 耐电压

- 1.3.1 Between two conductors 2500^{+200}_0 V AC for 1.0s Trip-current 3.0mA max.
导体与导体之间 2500^{+200}_0 V AC /1秒, 漏电流3.0mA(max).
- 1.3.2 Between conductor and body 4000^{+200}_0 V AC for 1.0s - Trip current 3.0mA max.
导体与本体之间 4000^{+200}_0 V AC /1秒, 漏电流3.0mA(max).

2. Mechanical Characteristics Test 机械性能检验

- 2.1. Withdrawal force 拔出力
- 2.1.1 For checking each PIN independently from the standard-gauge below 1.5N(Min) Keep for 3S or more.
标准量规对连接器插孔单PIN保持力为最小1.5N保持3秒以上.
- 2.1.2 For checking Integral withdrawal force 50N(Max) from maximum standard gauge. 标准量规(最大值)检查整体拔出力 50N(最大).

3. Finished product conditions 成品状态

- 3.1 The attachment plug front show the test mark of "T".
插头主视面须有测试标志"T".
- 3.2 The dimension with "X" must be control and inspected importantly.
带"X"尺寸需重点管控和检验.

4. Standards 标准

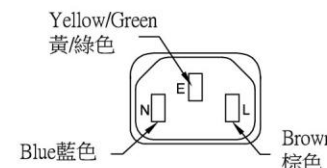
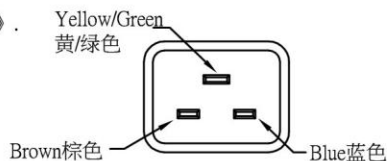
- 4.1 The cord shall comply with VDE 0281-5 ,HD21.5.IEC60227
线材符合VDE 0281-5 ,HD21.5 IEC60227
- 4.2 The plug and connector shall comply with IEC60320
插头和连接器须符合 IEC60320;

5. Environmental requirement 环保要求

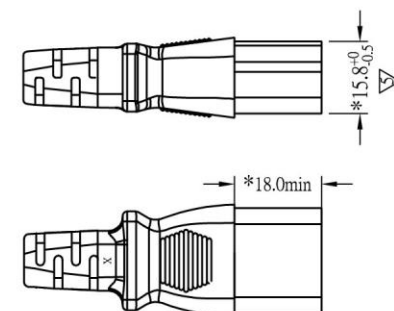
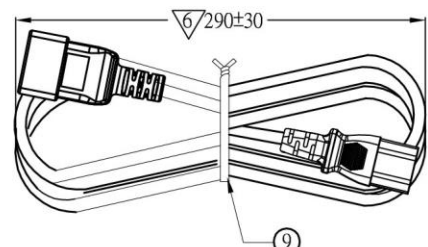
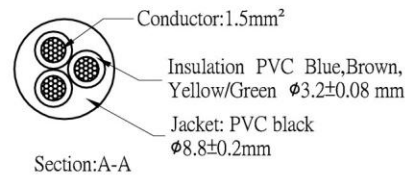
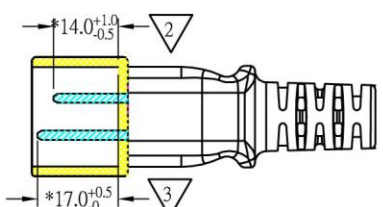
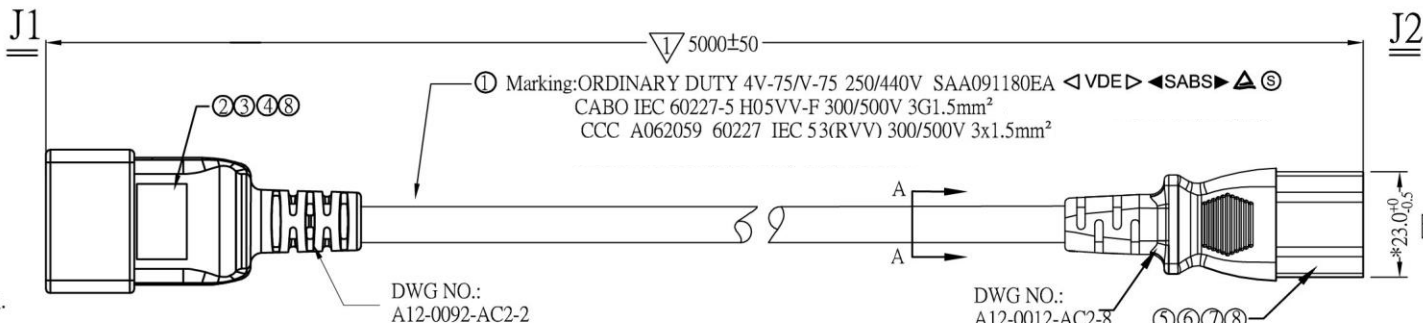
- 5.1 Material and product comply with Doc No."QW-Q-043" 《material-and product- of restricted substance control specification.
物料及成品必须符合QW-Q-043 《材料与成品限用物质管理规范》.

Wiring method 接线方式 :

- J1 cord J2
- E — Yellow/Green 黄/绿 — E
- L — Brown 棕色 — L
- N — Blue 蓝色 — N



REV.	DESCRIPTION	DESIGN	APPROVAL	DATE
B	Change the customer P/N(ECN17-000025770)	DanPeng	XL Deng	2017.07.29
C	ECN20-000004000(Change the SR shape of C20)	Hongmei Hu	Hongjiang Zhu	2020.02.29
D	500000024870(change cable marking)	Hongmei Hu	Hongjiang Zhu	2021.07.16

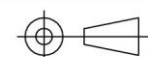


ITEM	NAME	DESCRIPTION	Q'TY	UNIT
⑨	TIE	Black PE tie hanking cord and meeting RoHS.	PCS	1
⑧	PLASTIC	55P black PVC pellets meeting RoHS and UL94 V-0.	KG	NA
⑦	TERMINAL	U type contact terminal with wing for C13 connector, copper	PCS	3
⑥	HOUSING	Down cover of C13 , PBT material, white	PCS	1
⑤	HOUSING	Upper cover of C13 , PBT material, white	PCS	1
④	HOLDER	Holder , PBT material, black.	PCS	1
③	BLADE	Blade 2x6mm, copper,nickel-plated	PCS	1
②	BLADE	Blade 2x5mm, copper,nickel-plated	PCS	2
①	POWER CORD	H05VV-F 3G1.5 ,black.	MM	NA

X.±	X.°±
.X±	.X°±
.XX±	.XX°±
.XXX±	.XXX°±
UNITS	mm

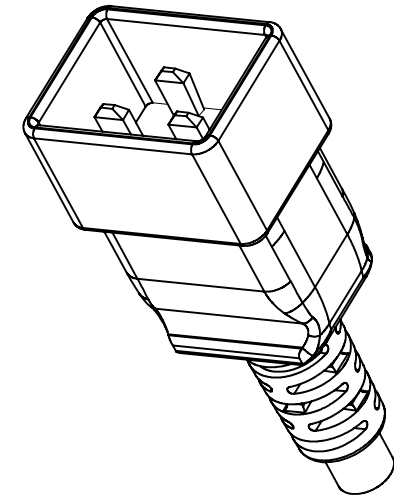
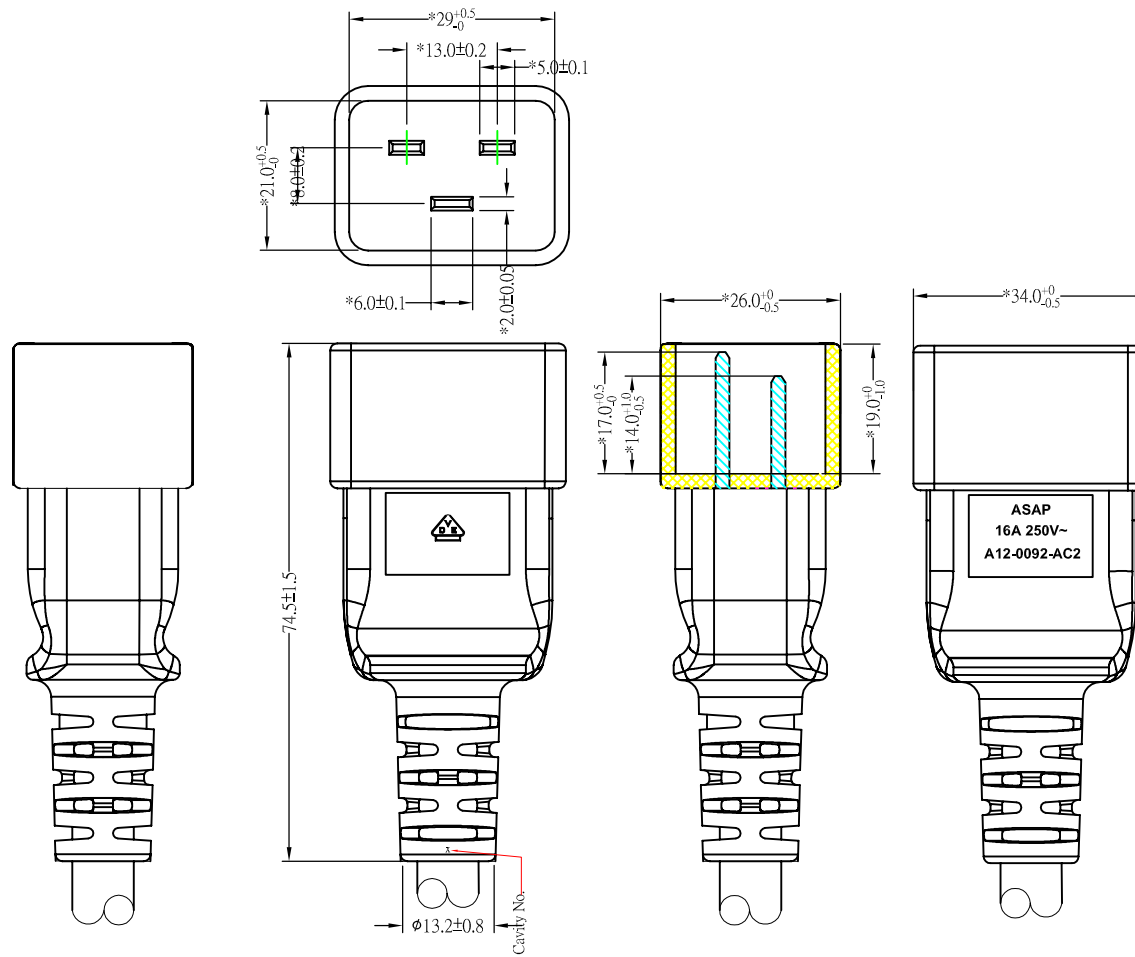
P/N:42-0594

PART NO: L8CAC106-DT-R		TITLE: EU C20 To C13 L5.0m black		
APPD: Hongjiang Zhu		DWG NO: RDN17020010-001		
CHKD: Guangren Ouyang		SCALE	SHEET	REV.
DRAW: Hongmei Hu				

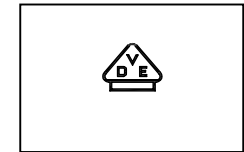


NOTE:
 Technical Requirement: The dimension with " * " is for safety standard.

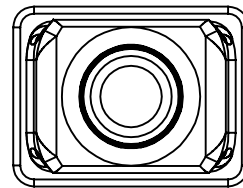
REV.	DESCRIPTION	DESIGN	APPROVAL	DATE
A	NEW	JING LIU	QS LIU	2017.10.06



ASAP
16A 250V~
A12-0092-AC2



Marking

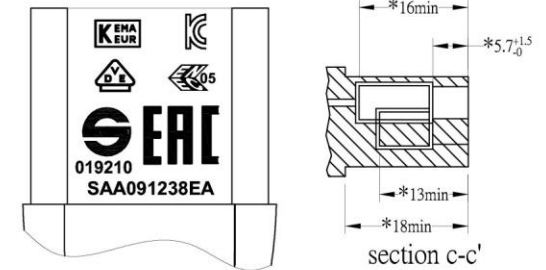
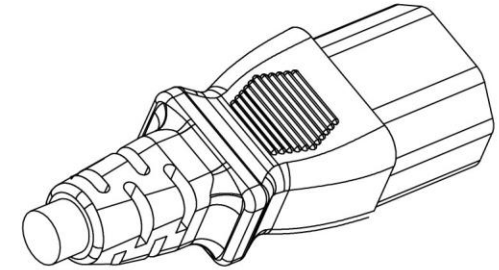
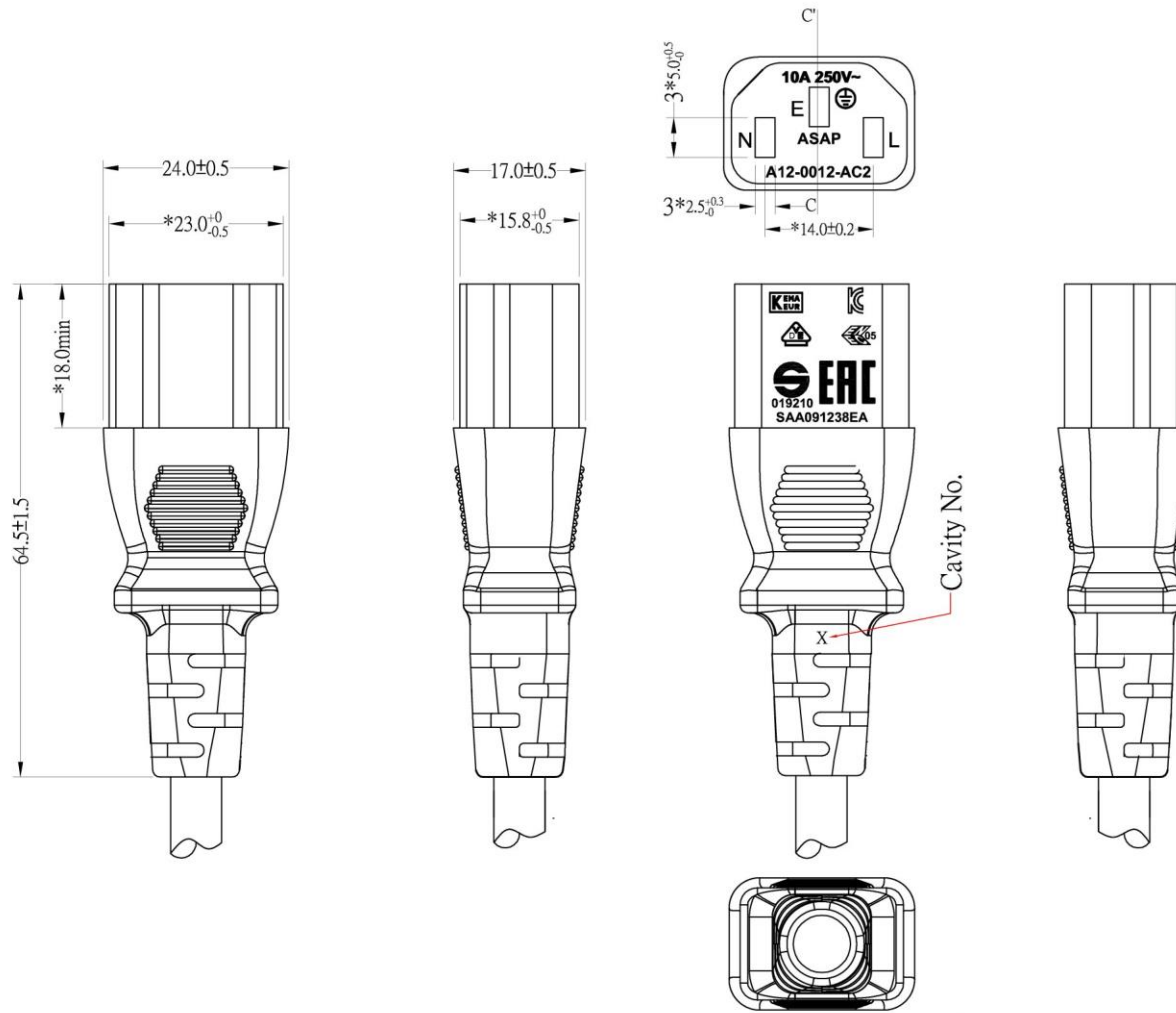


NO.	SPECIFICATION	Remark
1	H05VV-F 3*1.5 OD:8.8	Round Cable

X. ± 0.6	X.° $\pm 1^\circ$	DWG TYPE: PRODUCT DRAWING	TITLE: IEC C20 PLUG			
.X ± 0.4	.X° $\pm 0.6^\circ$					
.XX ± 0.10	.XX° $\pm 0.3^\circ$	MOUID NO: AC-C0092-x	DWG NO: A12-0092-AC2-2			
UNITS	mm	APPD: 欧阳光仁				
		CHKD: 刘秋顺		SCALE	SHEET	REV.
		DRAW: 刘景		NONE	1/1	A

NOTE:
 Technical Requirement: The dimension with " * " is for safety standard.

REV.	DESCRIPTION	DESIGN	APPROVAL	DATE
A	NEW	JING LIU	QS LIU	2017.9.25



Marking

X. :±0.6	X.° :±1°	DWG TYPE: PRODUCT DRAWING	TITLE: 华为专用 ENEC C13 CONNECTOR 10A 250V~		
.X :±0.4	.X° :±0.6°				
.XX:±0.10	.XX°:±0.3°	MOUID NO: AC-C0012-x	DWG NO: A12-0012-AC2-8		
UNITS	mm	APPD:朱红江			
		CHKD:刘秋顺	SCALE	SHEET	REV.
		DRAW: 刘景			

NO.	SPECIFICATION	Remark
1	H05VV-F 3x1.5mm2 OD:8.8±0.15	Round Cable