

Technical requirement 技术参数:

1. Electrical Characteristics Test 电气性能检验
 1.1 Products 100% for electrical test. 成品100%电性测试。
 1.2 Insulation resistance: Less than 100MΩ of 500V DC /0.4S.
 绝缘阻抗: 大于或等于100MΩ 500V DC /0.4S。
 1.3 Dielectric strength 耐电压

- 1.3.1 Between two conductors 2500¹200⁰V AC for 1.0s Trip-current 3.0mA max.
 导体与导体之间 2500¹200⁰V AC /1秒, 漏电流 3.0mA(max)。
 1.3.2 Between conductor and body 4200¹200⁰V AC for 1.0s Trip-current 3.0mA max.
 导体与本体之间 4200¹200⁰V AC /1秒, 漏电流 3.0mA(max)。

2. Mechanical Characteristics Test 机械性能检验

- 2.1. Withdrawal force 拔出力
 2.1.1 For checking each PIN independently from the standard-gauge below 1.5N(Min) Keep for 3S or more.
 标准量规对连接器插孔单PIN保持力为最小1.5N保持3秒以上。
 2.1.2 For checking Integral withdrawal force 50N(Max) from maximum standard gauge.
 标准量规(最大值)检查整体拔出力 50N(最大)。

3. Finished product conditions 成品状态

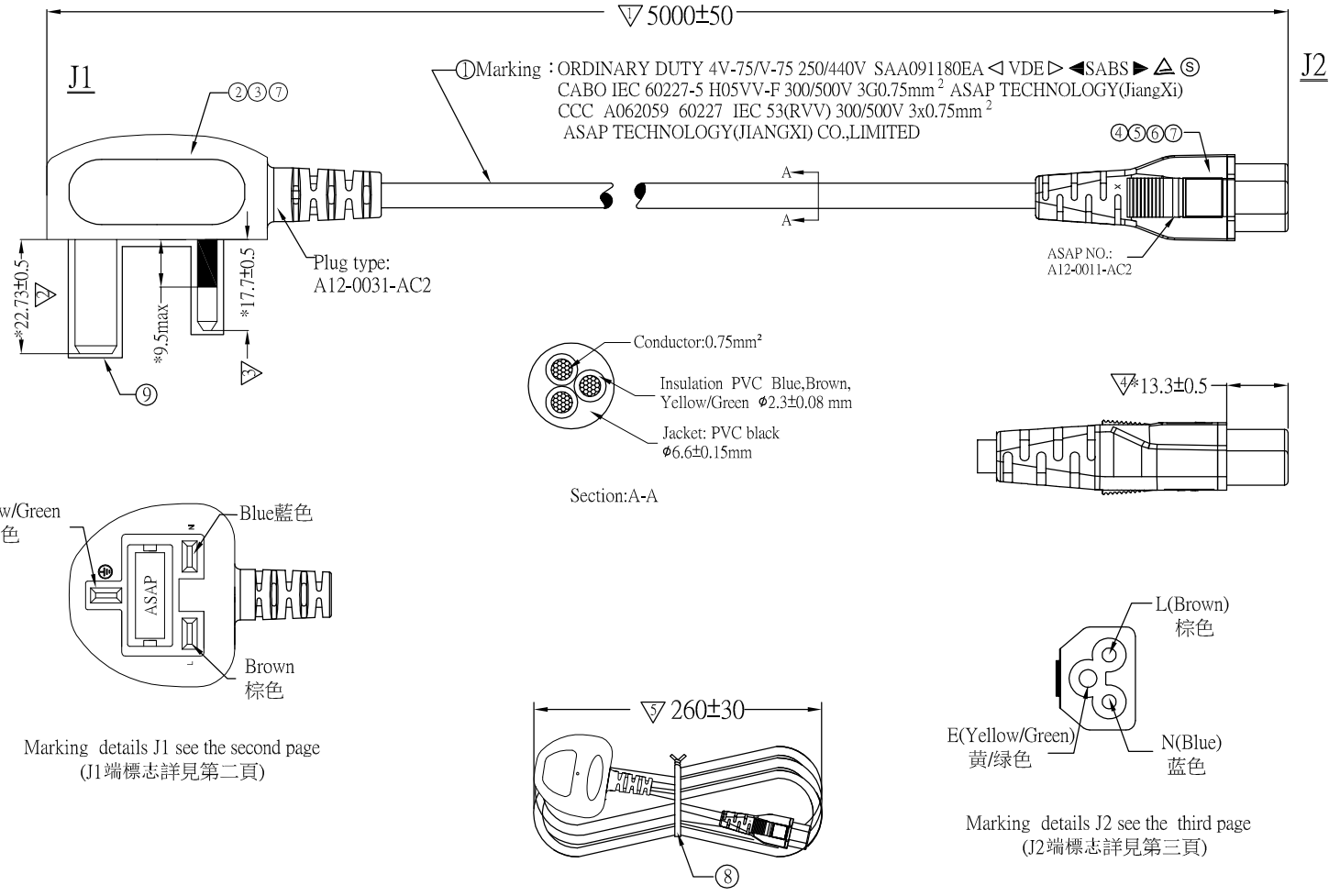
- 3.1 The attachment plug front show the test mark of "T".
 插头主视面须有测试标志 "T"。
 3.2 The dimension with "▽" must be control and inspected importantly.
 带 "▽" 尺寸需重点管控和检验。
 3.3 The dimension with "*" is for safety dimension.
 带 "*" 尺寸为安规尺寸。

3.4 material and product comply with Doc No. "QW-Q-043" 《material-and product- of restricted substance control specification.
 物料及成品必须符合 QW-Q-043 《材料与成品限用物质管理规范》。

4. The standards for the products: 产品标准:

- 4.1 The cord shall comply with IEC60227. 线材须符合 IEC60227.
 4.2 The molded plug shall comply with BS 1363. 插头须符合 BS 1363.
 4.3 The molded connector shall comply with IEC60320.
 连接器须符合 IEC60320.

wiring method 接线方式:
 J1 cord J2
 E — Yellow/Green 黄/绿色 — E
 L — Brown 棕色 — L
 N — Blue 蓝色 — N

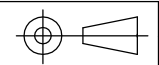


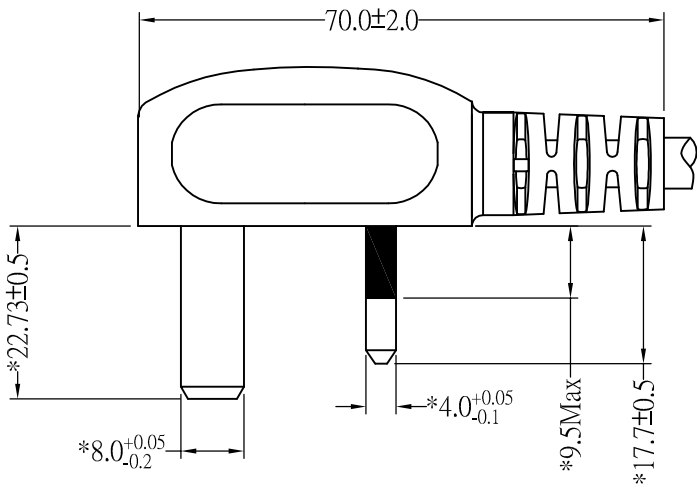
| ITEM | NAME | DESCRIPTION | UNIT | QTY |
|------|-------------|--|------|-----|
| ⑨ | SLEEVE | Protecting of plug, White | pcs | 1 |
| ⑧ | TIE | Black PE tie hanking cord and meeting RoHS. | pcs | 1 |
| ⑦ | PVC PELLETT | 55P black PVC pellets meeting RoHS and UL94 V-0. | g | 1 |
| ⑥ | TERMINAL | O type terminal 0.4*26.4*13.0, Phosphor bronze | pcs | 2 |
| ⑤ | TERMINAL | O type terminal 0.4*26.4*16.0, Phosphor bronze | pcs | 1 |
| ④ | HOUSING | Cover of C5, PBT material, black | pcs | 1 |
| ③ | Fuse | 5A fuse in line with BS 1362 | pcs | 1 |
| ② | INSERT | UK fuse plug insert with grounding, black | pcs | 1 |
| ① | POWER CORD | H05VV-F 3x0.75mm ² Φ6.6±0.15mm Black | mm | NA |

| X.± | X.°± | UNITS |
|-------|--------|--------|
| .X± | .X°± | mm |
| .XX± | .XX°± | MATL |
| .XXX± | .XXX°± | |
| | | FINISH |
| | | Q'TY |

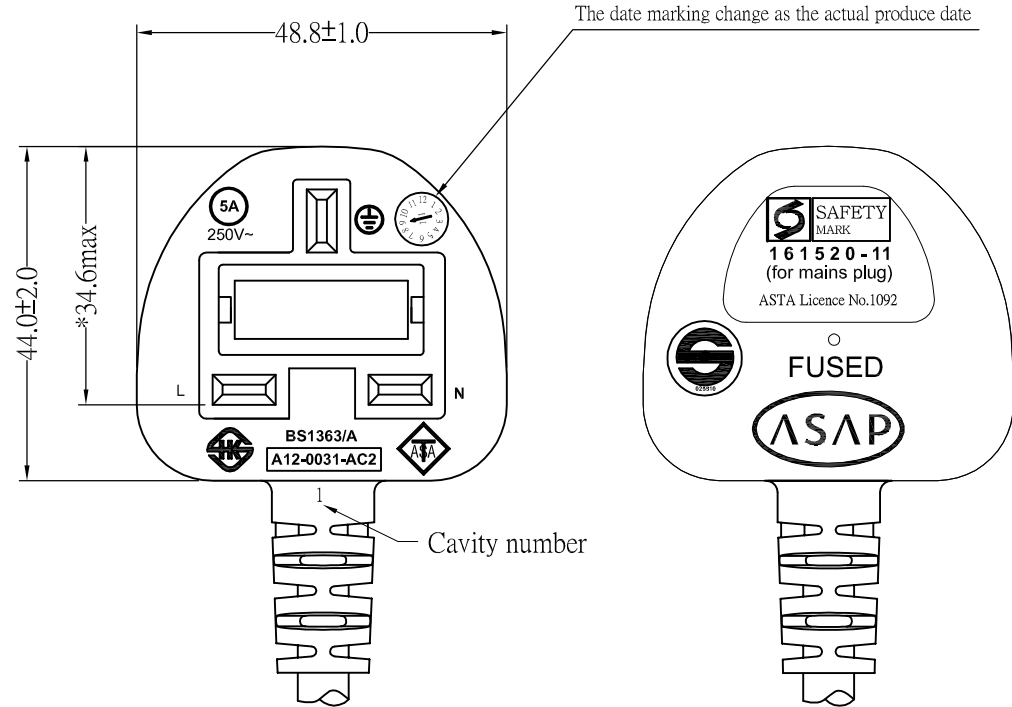
| | | | | | |
|---------------|--|------------------------|--|---------------------------------------|--|
| P/N: 42 0579 | | PART NO: L8CAC107-DT-R | | TITLE: UK(5A) 3P Plug To C5 L5M black | |
| APPD: XL Deng | | CHKD: Guangren Ouyang | | DWG NO: RDN17010316-001 | |
| DR: Dan Peng | | SCALE: NONE | | SHEET: 1/3 | |
| | | REV. A | | | |

THESE DRAWINGS AND SPECIFICATIONS ARE THE PROPERTY OF ASAP TECHNOLOGY(JIANGXI)CO., LIMITED AND SHALL NOT BE REPRODUCED, COPIED OR CUED IN ANY MANNER WITHOUT THE PRIOR WRITTEN CONSENT OF ASAP TECHNOLOGY(JIANGXI)CO., LIMITED.



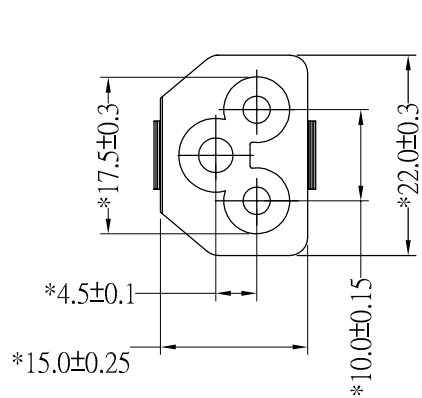


J1 Marking
J1端標誌

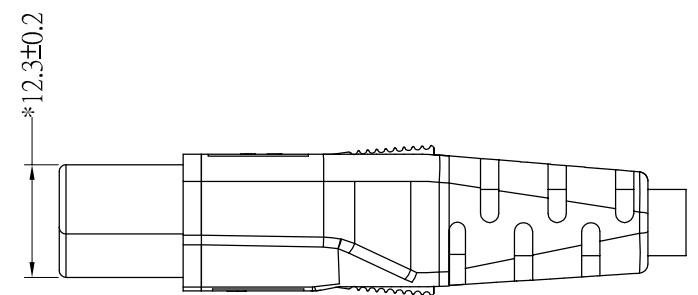
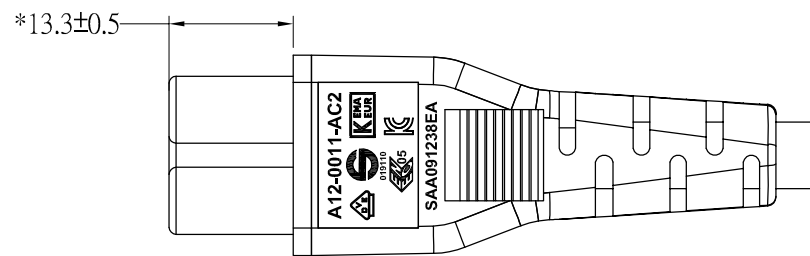
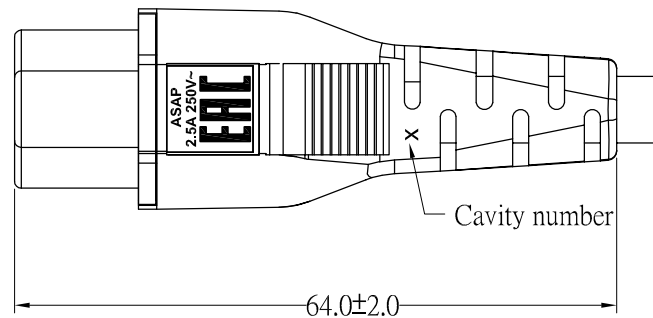


P/N:42 0579

| | | | | | | | | |
|---|--------|-------|---------------|---|-----------------|-------|-------|------|
| X.± | X.°± | UNITS | P/N:42 0579 | | | | | |
| .X± | .X°± | | | | | mm | | |
| .XX± | .XX°± | MATL | PART NO: | TITLE: | | | | |
| .XXX± | .XXX°± | | L8CAC107-DT-R | UK(5A) 3P Plug To C5 L5M black | | | | |
| THESE DRAWINGS AND SPECIFICATIONS ARE THE PROPERTY OF ASAP TECHNOLOGY(JIANGXI)CO., LIMITED AND SHALL NOT BE REPRODUCED, COPIED OR CUED IN ANY MANNER WITHOUT THE PRIOR WRITTEN CONSENT OF ASAP TECHNOLOGY(JIANGXI)CO., LIMITED. | | | FINISH | APPD: XL Deng | DWG NO: | | | |
| | | | Q'TY | CHKD: Guangren Ouyang | RDN17010316-001 | | | |
| | | | DR: Dan Peng | <table border="1"> <tr> <td>SCALE</td> <td>SHEET</td> <td>REV.</td> </tr> <tr> <td>NONE</td> <td>2/3</td> <td>A</td> </tr> </table> | | SCALE | SHEET | REV. |
| SCALE | SHEET | REV. | | | | | | |
| NONE | 2/3 | A | | | | | | |



J2 Marking
J2端標誌



| | | | | | | | |
|---|--------|-------------|---------------------------|--|----------------------------|-------|------|
| X.± | X.°± | UNITS mm | P/N:42 0579 | | | | |
| .X± | .X°± | | | | | | |
| .XX± | .XX°± | MATL | PART NO: L8CAC107-DT-R | TITLE: UK(5A) 3P Plug To C5 L5M black | | | |
| .XXX± | .XXX°± | | FINISH | APPD: XL Deng | DWG NO: RDN17010316-001 | | |
| THESE DRAWINGS AND SPECIFICATIONS ARE THE PROPERTY OF ASAP TECHNOLOGY(JIANGXI)CO., LIMITED AND SHALL NOT BE REPRODUCED, COPIED OR CUED IN ANY MANNER WITHOUT THE PRIOR WRITTEN CONSENT OF ASAP TECHNOLOGY(JIANGXI)CO., LIMITED. | | | CHKD: Guangren Ouyang | | SCALE | SHEET | REV. |
| | | | Q'TY | | DR: Dan Peng | NONE | 3/3 |