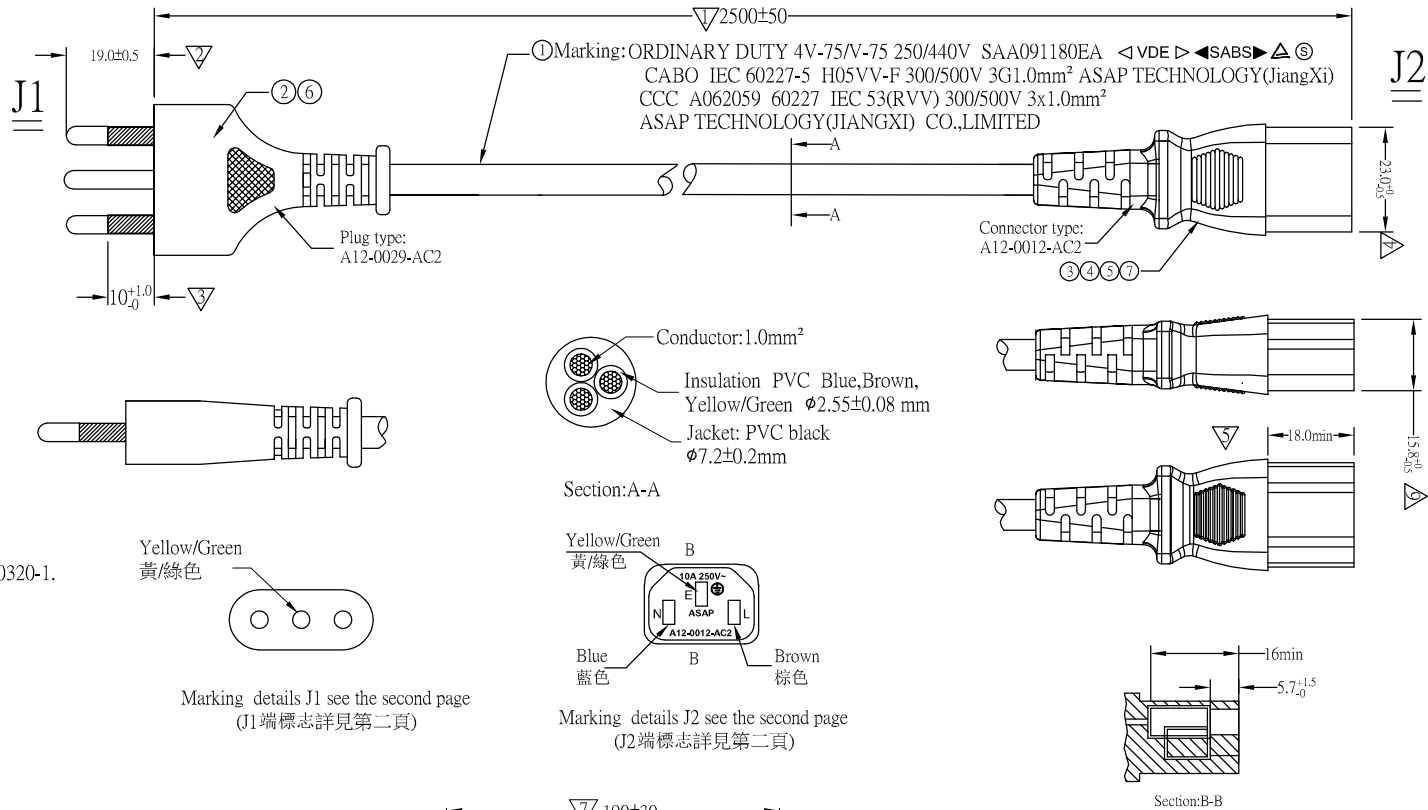


REV.	DESCRIPTION	DESIGN	APPROVAL	DATE
X	NEW	HM Hu	BG YANG	2015.05.18

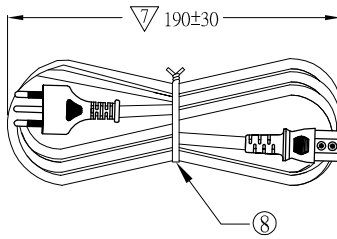
Technical requirement 技术参数:

- Electrical Characteristics Test 电气性能检验
 - Products 100% for electrical test. 成品100%电性测试.
 - Insulation resistance: No less than 100MΩ of 500V DC /0.4s.
绝缘阻抗: 大于或等于100MΩ 500V DC /0.4s.
 - Dielectric strength 耐电压
 - Between two conductors 2500_0^{200V} AC for 1.0s Trip-current 1.0mA max.
导体与导体之间 2500_0^{200V} AC /1秒, 漏电流1.0mA(max).
 - Between conductor and body 4000_0^{200V} AC for 1.0s - Trip current 1.0mA max.
导体与本体之间 4000_0^{200V} AC /1秒, 漏电流1.0mA(max).
- Mechanical Characteristics Test 机械性能检验
 - Withdrawal force 拔出力
 - For checking each PIN independently from the standard-gauge below 1.5N(Min) Keep for 3S or more.
标准量规对连接器插孔单PIN保持力为最小 1.5N保持3秒以上.
 - For checking Integral withdrawal force 50N(Max) from maximum standard gauge. 标准量规(最大值)检查整体拔出力 50N(最大).
- Finished product conditions 成品状态
 - The attachment plug front show the test mark of "T".
插头主视面须有测试标志"T".
 - The dimension with "▽" must be control and inspected importantly.
带"▽"尺寸需重点管控和检验.
- Standards
 - The cord shall comply with IEC 60227. 线材符合IEC 60227.
 - The molded plug shall comply with CEI 23-50. 插頭符合CEI 23-50.
 - The molded connector shall comply with IEC 60320-1. 连接器符合IEC 60320-1.
- Environmental requirement 环保要求
 - Material and product comply with Doc No."QW-Q-043" 《material-and product-of restricted substance control specification. 物料及成品必须符合QW-Q-043 《材料与成品限用物质管理规范》.



wiring method 接线方式:

J1	cord	J2
E	Yellow/Green 黄/綠色	E
	Brown 棕色	L
	Blue 藍色	N



⑧	TIE	Black PE tie meeting RoHS, L=145mm.	PCS	1	X.±	X.°±
⑦	PVC PELLET	45P black PVC pellets meeting RoHS, UL94 V-0.	G		.X±	.X°±
⑥	PVC PELLET	55P black PVC pellets meeting RoHS, UL94 V-0.	G		.XX±	.XX°±
⑤	TERMINAL	U type contact terminal with wing for C13 connector, brass.	PCS	3	.XXX±	.XXX°±
④	HOUSING	Down cover of C13, PBT material, white	PCS	1	UNITS	mm
③	HOUSING	Upper cover of C13, PBT material, white	PCS	1	THESE DRAWINGS AND SPECIFICATIONS ARE THE PROPERTY OF LUXSHARE-ICT AND SHALL NOT BE REPRODUCED, COPIED OR CUED IN ANY MANNER WITHOUT THE PRIOR WRITTEN CONSENT OF LUXSHARE-ICT	
②	INSERT	Italy insert with earthing, black nickel-plated copper	PCS	1		
①	POWER CORD	H05VV-F 3G1.0mm² Black	MM			
ITEM	NAME	DESCRIPTION	Q'TY	UNIT		

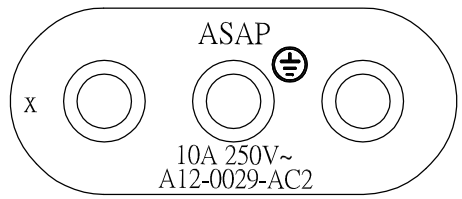
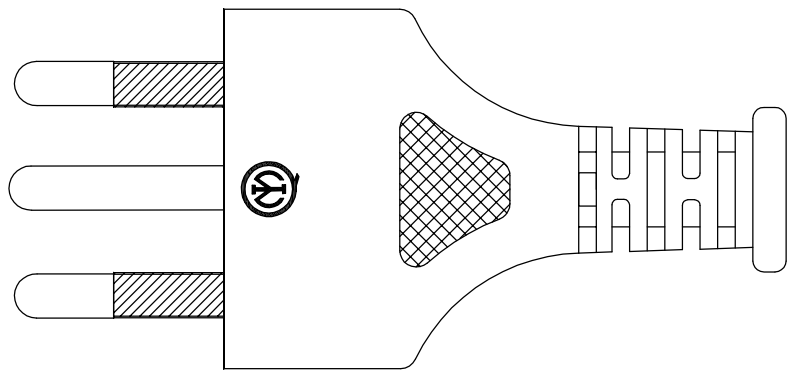
P/N:42 0566

PART NO: L8CAC036-QT-N		TITLE: Italy Plug TO C13 L2.5m black		
APPD: Baogen Yang		DWG NO: ACRDN15050017-002		
CHKD: Guangren Ouyang				
DRAW: Hongmei Hu				
		SCALE NONE	SHEET 1/2	REV. X

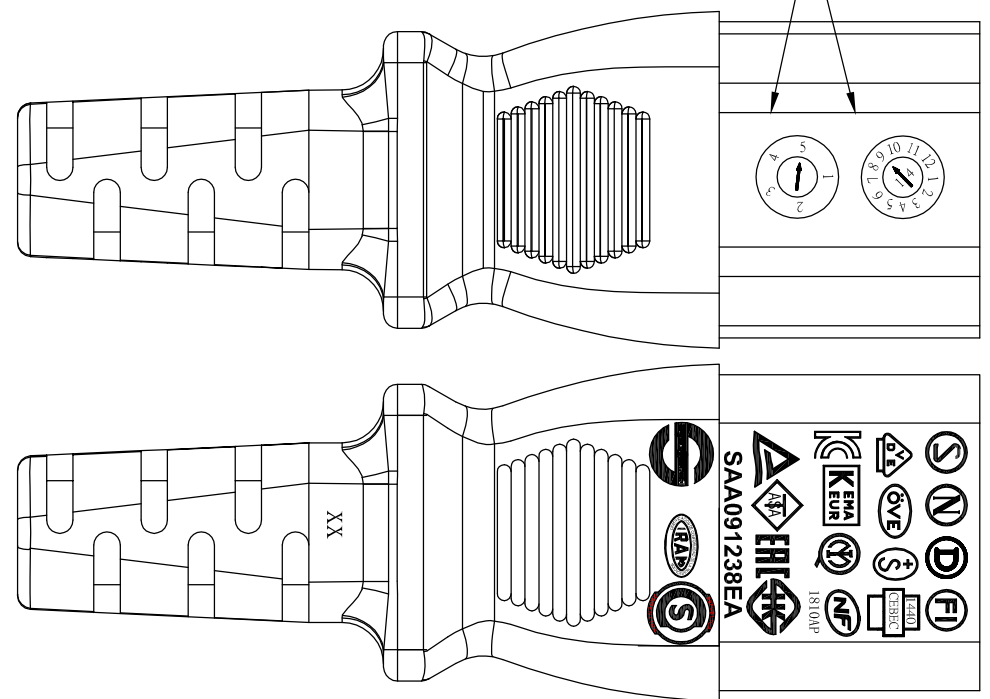
8 7 6 5 4 3 2 1

E
D
C
B
A

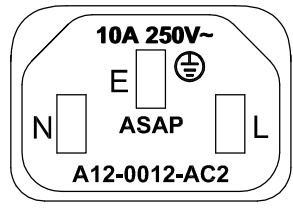
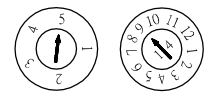
E
D
C
B
A



J1 Marking
J1端標誌



年份,月份随生产时间变化而变化
The date marking change as the actual making date



J2 Marking
J2端標誌

X.±	X.°±
.X±	.X°±
.XX±	.XX°±
.XXX±	.XXX°±
UNITS	mm
<small>THESE DRAWINGS AND SPECIFICATIONS ARE THE PROPERTY OF LUXSHARE-ICT AND SHALL NOT BE REPRODUCED, COPIED OR CUED IN ANY MANNER WITHOUT THE PRIOR WRITTEN CONSENT OF LUXSHARE-ICT</small>	

P/N:42 0566

PART NO: L8CAC036-QT-N	TITLE: Italy Plug TO C13 L2.5m black		
APPD: Baogen Yang	DWG NO: ACRDN15050017-002		
CHKD: Guangren Ouyang	SCALE	SHEET	REV.
DRAW: Hongmei Hu	NONE	2/2	X

8 7 6 5 4 3 2 1