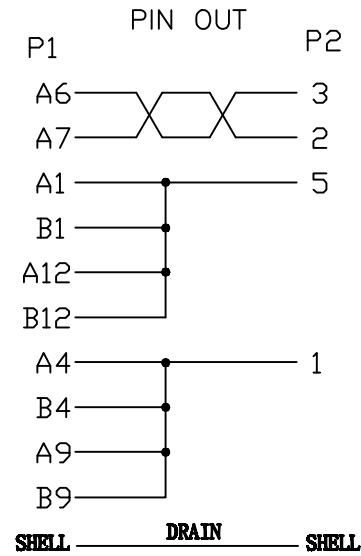
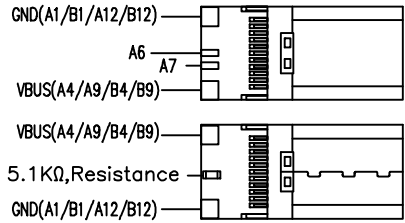
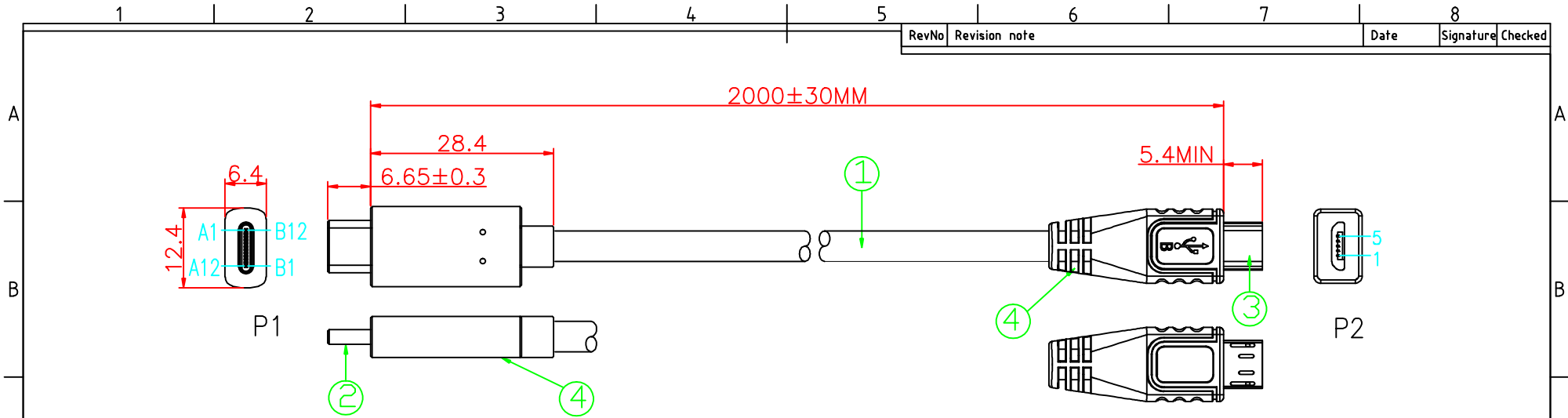


RevNo	Revision note	Date	Signature	Checked
-------	---------------	------	-----------	---------



NOTES:

- 1:100% short,open and miss wire test.
- 2:Resistance:A04-A05 5.1KΩ±10%

④	OUTER MOULDED	PVC,BLACK,45P	0.038	KG
③	CONNECTOR	USB2.0 MICRO B MALE,GOLD PLATED PIN,NICKEL PLATED SHELL,BLACK INSULATION	1	PCS
②	CONNECTOR	USB TYPE C MALE WITH PCB(5.1Kohm,Resistance),GOLD PLATED PIN,NICKEL PLATDE SHELL,BLACK INSULATION	1	PCS
①	CABLE	USB2.0:30AWG*1P+24AWG*2C+ADB,JACKET:BLACK PVC,OD:3.8±0.2MM	2	M
NO.	MATERIAL	DESCRIPTION	QTY.	UNIT

Ltemref	Quantity	Title/Name,designation,material,dimension etc	Article No./Reference		
Designed by ACHY	Checked by HELEN	Approved by - date NOV 11.2015	File name USB2.0 MICRO BM-TYPE C	Date NOV 11.2015	Scale FREE
ANGLE:			USB2.0 MICRO BM-TYPE C,BLACK,2M		
UNIT:MM			40 4092	Edition 1	Sheet 1/1