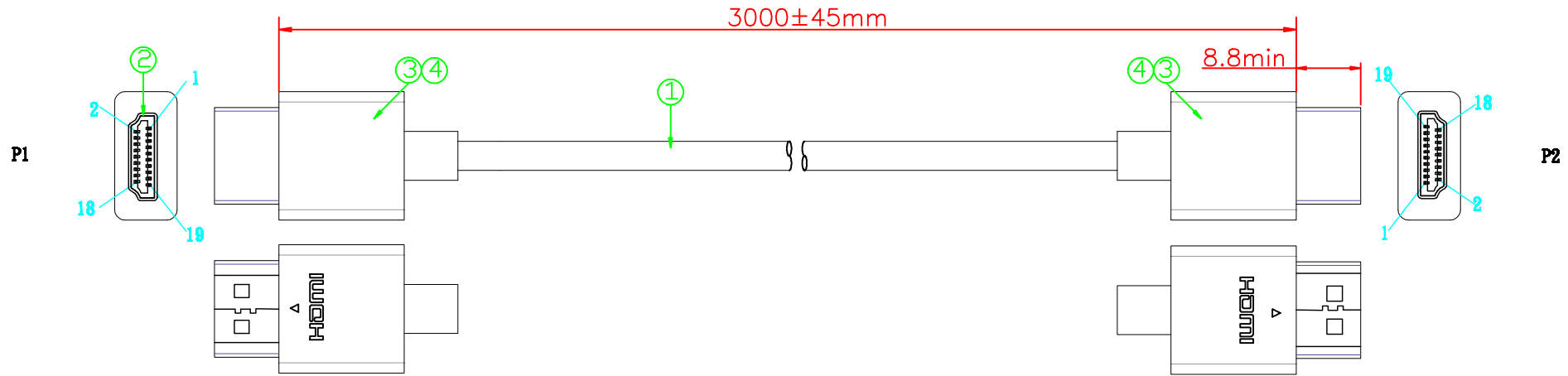


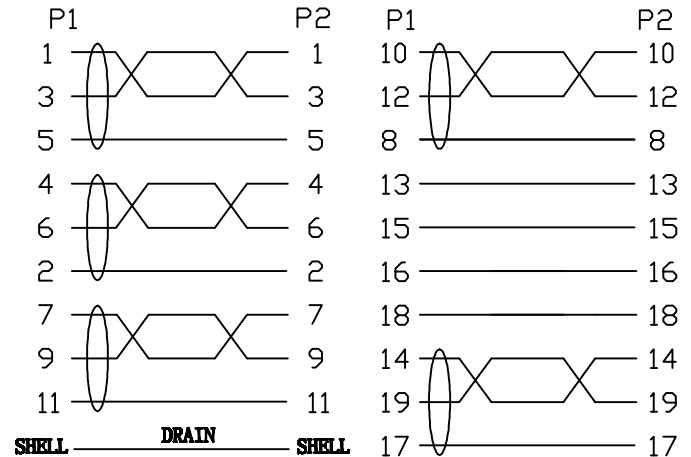
| RevNo | Revision note | Date | Signature | Checked |
|-------|---------------|------|-----------|---------|
|-------|---------------|------|-----------|---------|



NOTES:

- 1:100% short,open and miss wire test.
- 2:Insulation resistance:DC300V 10MΩ(Min)
Conduction resistance 3Ω(Max)
- 3:HD-TV:4K*2K 30HZ.
- 4:Cable printing:High Speed HDMI Cable with Ethernet
E***** AWL AWM STYLE 20276 80°C 30V VW-1

PIN OUT



| | | | | |
|------------|-----------------|--|-------------|-------------|
| ④ | OUTER MOULDED | BLACK 45P PVC | 0.024 | KG |
| ③ | INNER MOULDED | LDPE | 0.018 | KG |
| ② | CONNECTOR | HDMI A TYPE MALE,THE PIN GOLD PLATED,THE SHELL FOR GOLD PLATING | 2 | PCS |
| ① | CABLE | (1P*34AWG+D+AFM)*5C+4C*34AWG+ADB(80/0.12ALM), JACKET:BLACK PVC,OD:4.5±0.2MM | 3000 | MM |
| NO. | MATERIAL | DESCRIPTION | QTY. | UNIT |

| | | | | | | |
|---------------------|---------------------|---|----------------------------|--|-----------------------|--------------|
| Ltemref | Quantity | Title/Name,designation,material,dimension etc | | | Article No./Reference | |
| Designed by ACHY | Checked by HELEN | Approved by - date Apr 28.2017 | File name HDMI AH TO AH | Date Apr 28.2017 | Scale FREE | |
| ANGLE: | | | | Slim line(34AWG) HDMI 4K*2K(30HZ) M-M,gold plated,3M | | |
| UNIT:MM | | | | 32 3706 | Edition 1 | Sheet 1/1 |