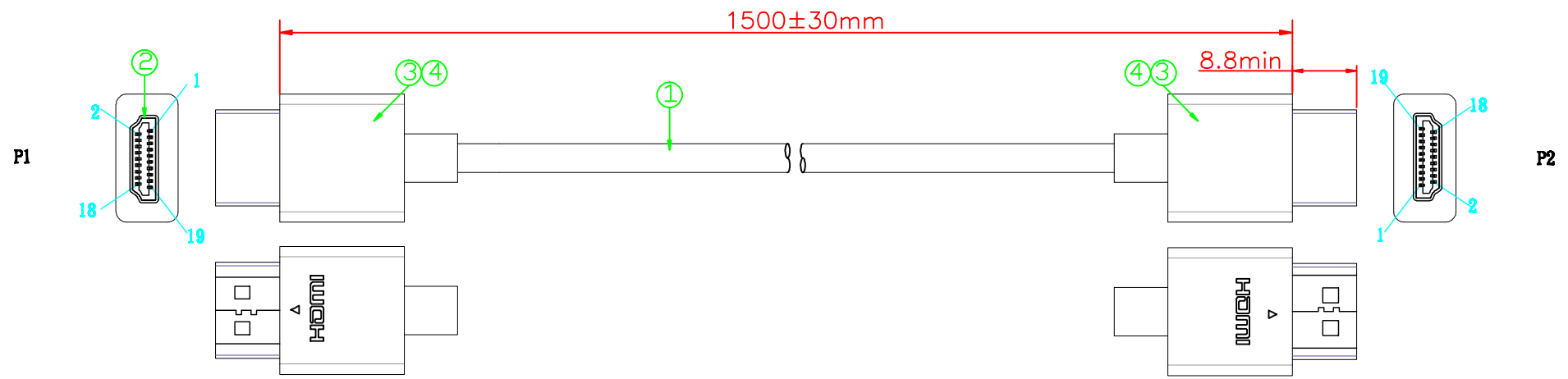
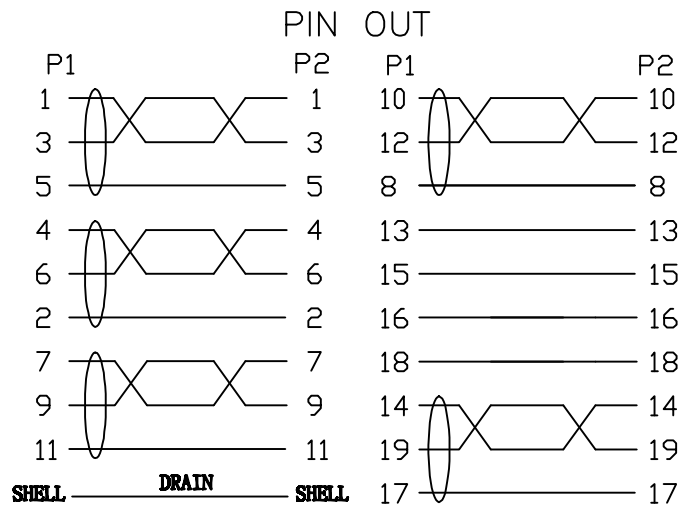


RevNo	Revision note	Date	Signature	Checked
-------	---------------	------	-----------	---------



NOTES:
 1:100% short,open and miss wire test.
 2:Insulation resistance:DC300V 10MΩ(Min)
 Conduction resistance 3Ω(Max)
 3:HD-TV:4K*2K 60HZ.
 4:Cable printing:High Speed HDMI Cable with Ethernet
 E***** AWM STYLE 20276 80°C 30V VW-1



④	OUTER MOULDED	BLACK 45P PVC	0.024	KG
③	INNER MOULDED	LDPE	0.018	KG
②	CONNECTOR	HDMI A TYPE MALE,THE PIN GOLD PLATED,THE SHELL FOR GOLD PLATING	2	PCS
①	CABLE	UL20276:(1P*36AWG+D+AFM)*5C+4C*36AWG+ADB(96/0.06TC), JACKET:BLACK PVC,OD:3.6±0.2MM	1500	MM
NO.	MATERIAL	DESCRIPTION	QTY.	UNIT

Ltemref	Quantity	Title/Name,designation,material,dimension etc			Article No./Reference	
Designed by ACHY	Checked by HELEN	Approved by - date Apr 28.2017	File name HDMI AM To AM	Date Apr 28.2017	Scale FREE	
ANGLE:				Slim line(36AWG) HDMI 4Kx2K(60HZ) M-M,gold plated,15M		
UNIT:MM				32 3704	Edition 1	Sheet 1/1