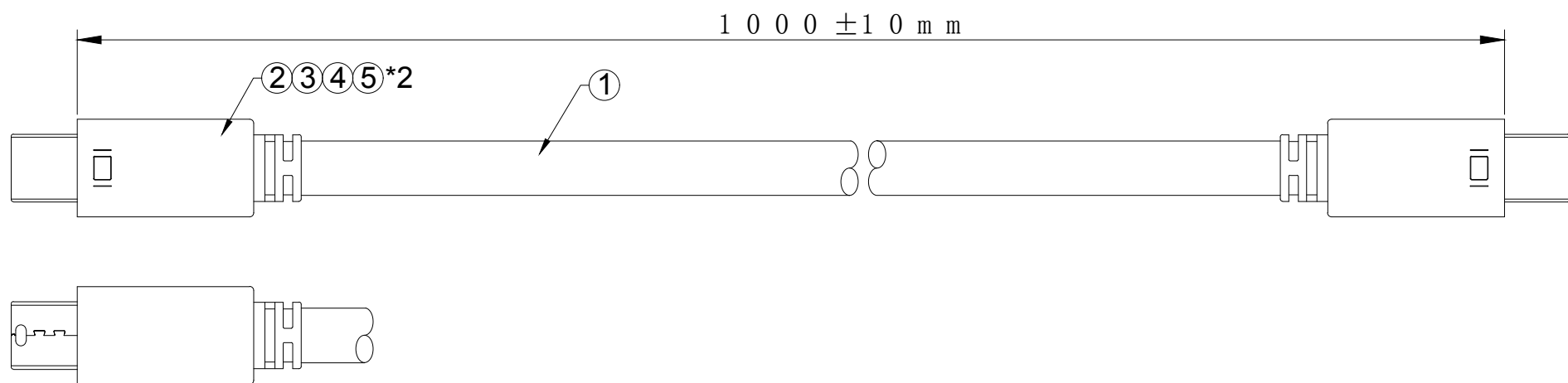
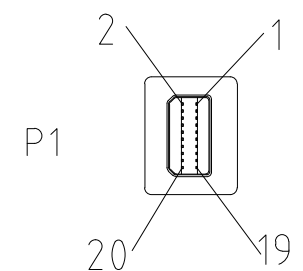


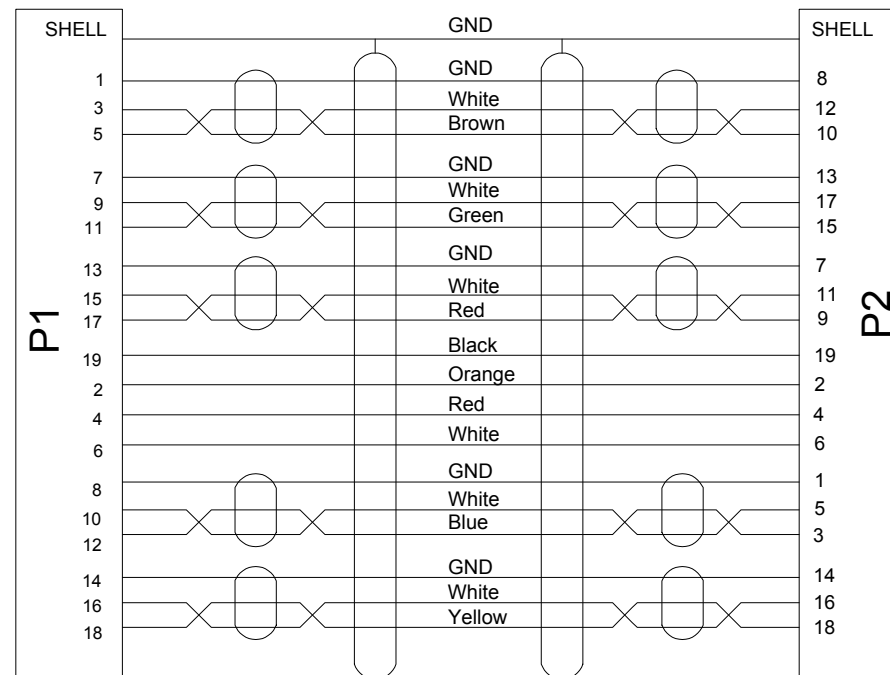
RoHS compliant

RevNo	Revision note	Date	Signature	Checked
-------	---------------	------	-----------	---------

MINI DISPLAYPORT PLUG



Test :  
 Voltage 300V  
 Conductor  $\leq 5\Omega$   
 Insulation  $\geq 10M\Omega$   
 Test resolution is 3840\*2160P/60Hz



Molding NO.:  
 Inner molding: Mini DP M 602-0MDP-N190  
 Outer molding: Mini DP M 602-00DP-W100

NO.	PART NO	Specifications describe	Q'ty
5	501-TG01-0015	HST\Black\Heat Shrink Tubing,Φ1.0*L=12mm	2Pcs
4	202-60PV-0002	PVC\60P PVC White	9. 3g
3	202-00PE-0001	LDPE (RoHs)-PE101	3. 2g
2	201-01MG-0013	Connector\Mini DP(M) Gold plating\welding type\whiet housing\Terminals gold-plated 5U",(DP1.2)+32#wire holder	2Pcs
1	301-5532-0031	Cable\OD:5.5mm\UL20276(32#*1P+D+AM)*5C+32#*5C+ADB16\60.12(AMA)\PVC WHITE DP1.2	1Pcs

Ltemref	Quantity	Title/Name,designation,material,dimension etc	Article No./Reference
Designed by ACHY	Checked by HELEN	Approved by - date October.09.2018	File name Date October.09.2018
ANGLE:		32-2415A	MINI DP MALE TO MINI DP MALE CABLE
UNIT:MM			Edition 1