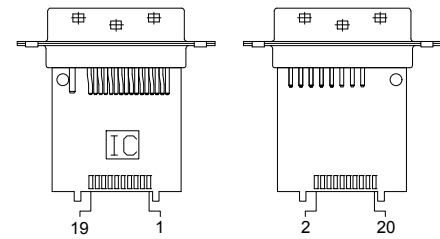
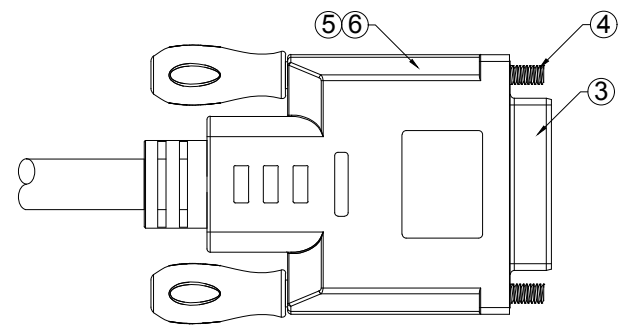
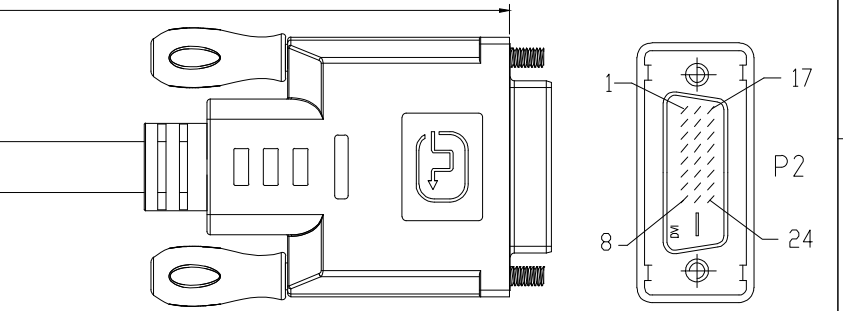
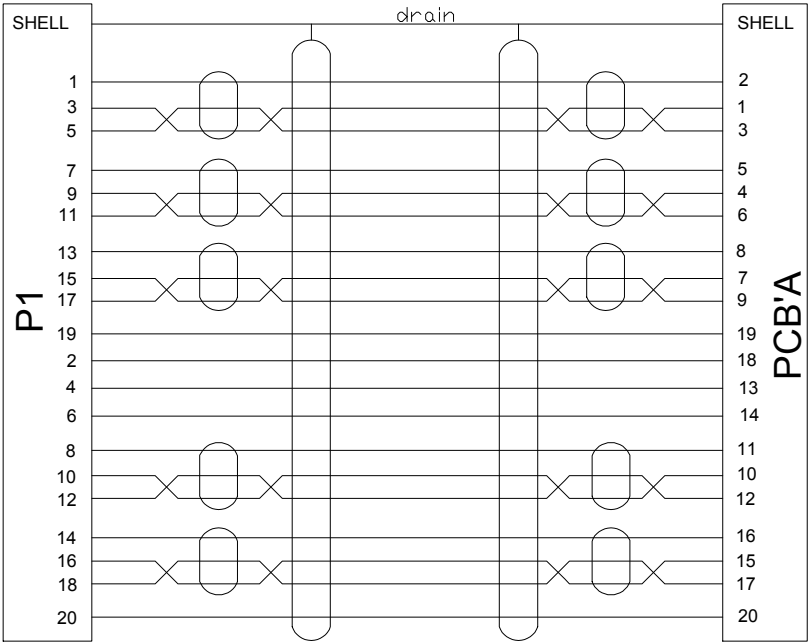
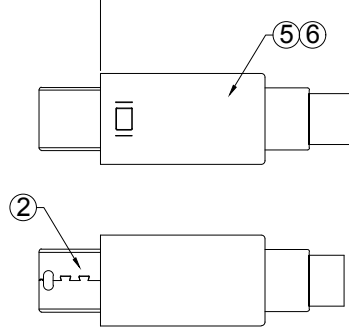
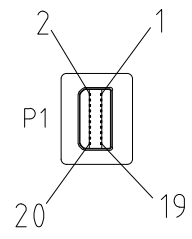


1000±20mm

MINI DISPLAYPORT PLUG



PCB'A

NOTES:

- 1:100% short,open and miss wire test.
- 2:Resolution:1080P,60HZ,

⑥	OUTER MOULDED	WHITE 45P PVC	0.048	KG
⑤	INNER MOULDED	LDPE	0.024	KG
④	SCREW	#4-40UNC 2.3*45.5MM,WHITE PVC	2	PCS
③	CONNECTOR	DVI 24+1/M WITH PCB(PS8121E),BLACK INSULATION,GOLD PLATED PIN AND SHELL	1	PCS
②	CONNECTOR	MINI DISPLAYPORT MALE,BLACK INSULATOR,GOLD PLATED PIN AND SHELL	1	PCS
①	CABLE	(1P*32AWG+D+FAM)*5C+5C*32AWG+ADB,JACKET:WHITE PVC,OD:5.5±0.2MM.	1000	MM
NO.	MATERIAL	DESCRIPTION	QTY.	UNIT

Ltemref	Quantity	Title/Name,designation,material,dimension etc			Article No./Reference
Designed by ACHY	Checked by HELEN	Approved by - date Mar 13.2018	File name DP-DVI,M/M,WHITE	Date Mar 13.2018	Scale FREE
ANGLE:		MDP M-DVI 24+1 M CABLE,WHITE,GOLD,1M			
UNIT-MM		32-2404	Edition 1	Sheet 1/1	