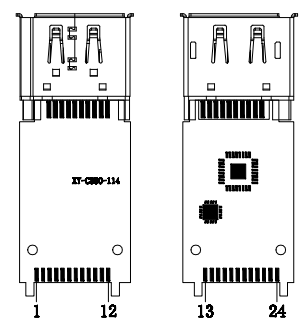
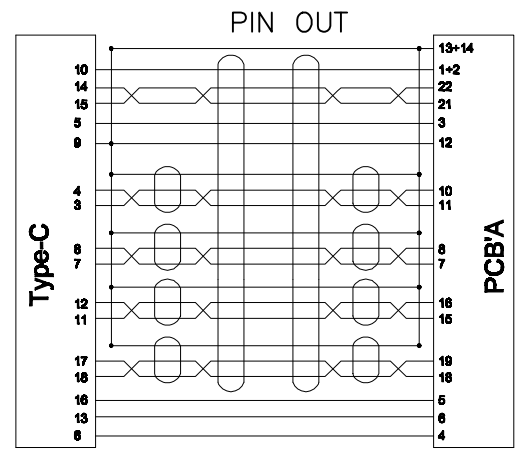
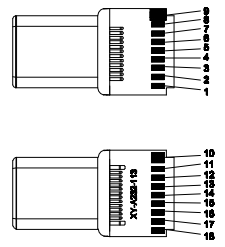
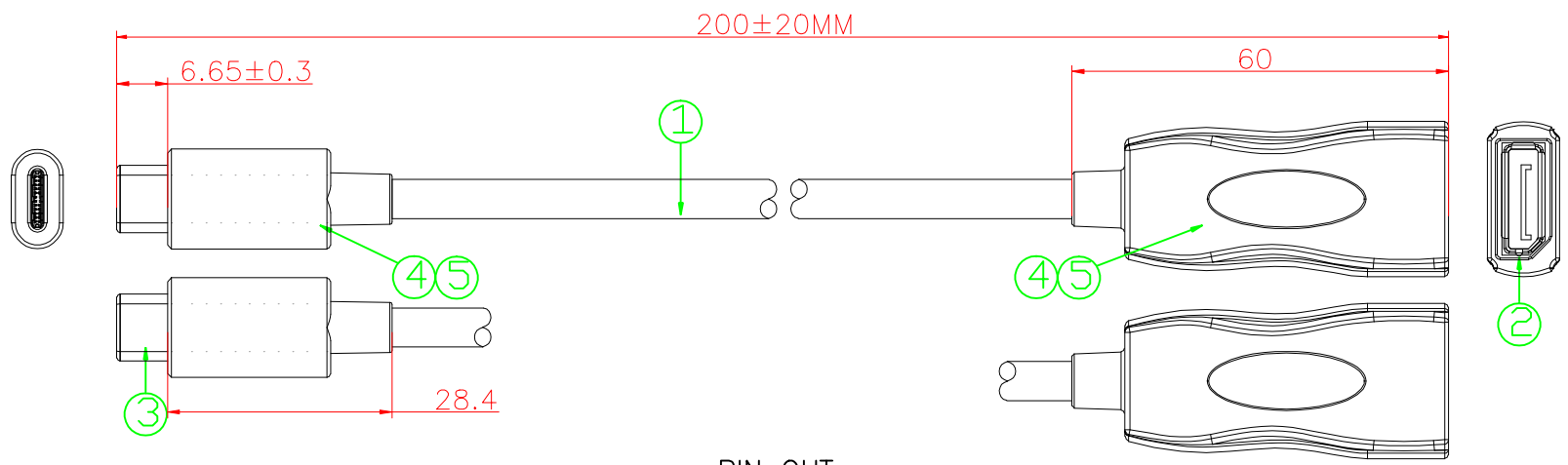


RevNo	Revision note	Date	Signature	Checked
-------	---------------	------	-----------	---------



NOTES:

1:100% short,open and miss wire test.

⑤	OUTER MOULDED	PVC,BLACK,45P	0.038	KG
④	INNER MOULDED	LDPE	0.038	KG
③	CONNECTOR	USB TYPE C MALE,GOLD PLATED PIN,NICKEL PLATED SHELL,BLACK INSULATION	1	PCS
②	CONNECTOR	DP FEMALE WITH PCB(CY7C65210),GOLD PLATED PIN,NICKEL PLATDE SHELL,BLACK INSULATION	1	PCS
①	CABLE	UL2725(34AWG*1P+D+AL+HM)*4C+32AWG*1P+34AWG*3C+28AWG*1C+26AWG*1C+F+2D+AL,JACKET:BLACK PVC,OD:3.8±0.2MM	0.2	M
NO.	MATERIAL	DESCRIPTION	QTY.	UNIT

Ltemref	Quantity	Title/Name,designation,material,dimension etc			Article No./Reference
Designed by ACHY	Checked by HELEN	Approved by - date NOV 11.2015	File name USB3.1TYPE C-DP F	Date NOV 11.2015	Scale FREE
ANGLE:				USB3.1 TYPE CM-DP F,BLACK,0.2M	
UNIT:MM				24 0307	Edition 1 Sheet 1/1