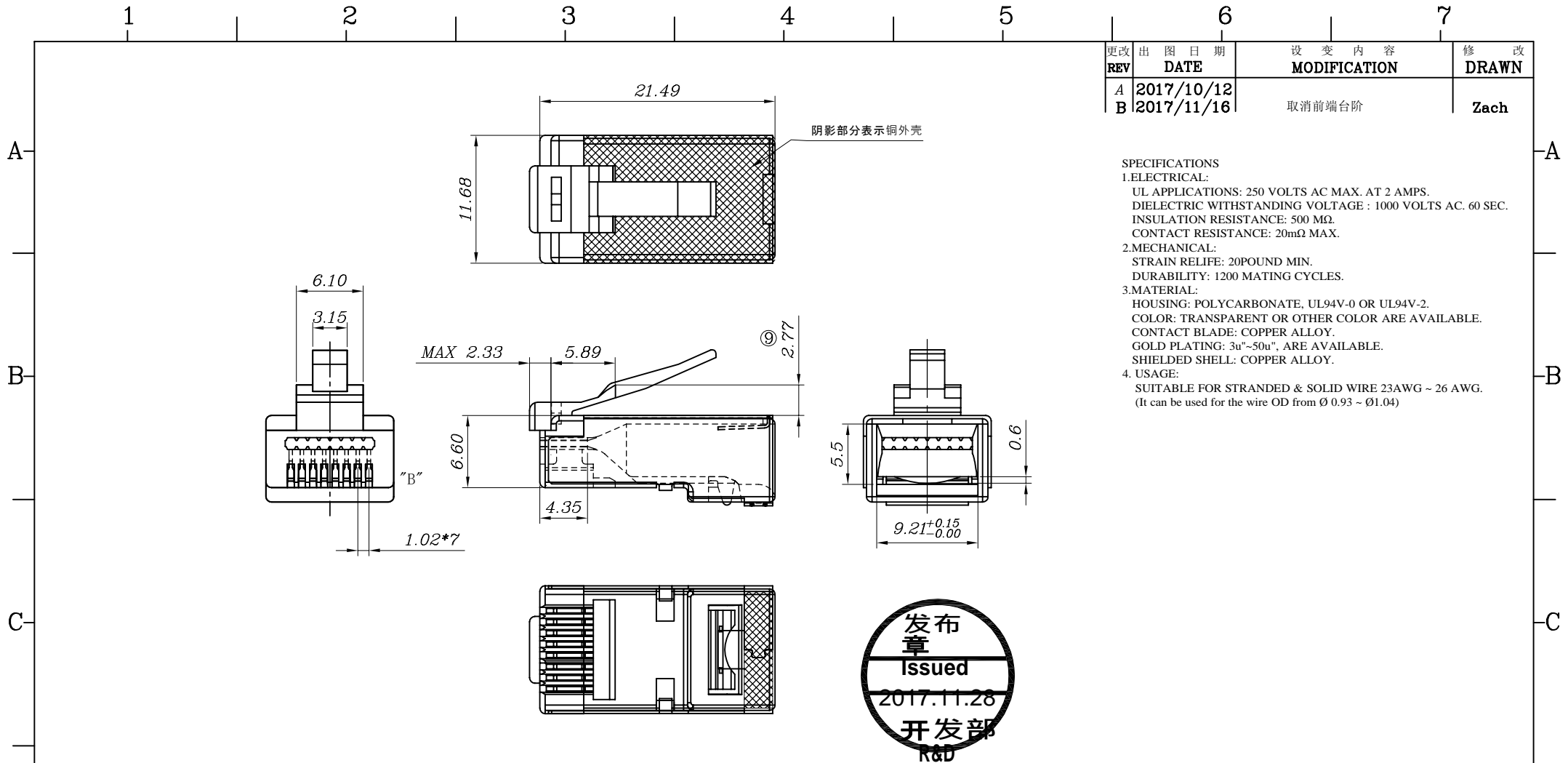


更改 REV	出图日期 DATE	设变内容 MODIFICATION	修改 DRAWN
A	2017/10/12		
B	2017/11/16	取消前端台阶	Zach



**SPECIFICATIONS**

1. ELECTRICAL:  
 UL APPLICATIONS: 250 VOLTS AC MAX. AT 2 AMPS.  
 DIELECTRIC WITHSTANDING VOLTAGE : 1000 VOLTS AC. 60 SEC.  
 INSULATION RESISTANCE: 500 MΩ.  
 CONTACT RESISTANCE: 20mΩ MAX.

2. MECHANICAL:  
 STRAIN RELIEF: 20POUND MIN.  
 DURABILITY: 1200 MATING CYCLES.

3. MATERIAL:  
 HOUSING: POLYCARBONATE, UL94V-0 OR UL94V-2.  
 COLOR: TRANSPARENT OR OTHER COLOR ARE AVAILABLE.  
 CONTACT BLADE: COPPER ALLOY.  
 GOLD PLATING: 3u"-50u", ARE AVAILABLE.  
 SHIELDED SHELL: COPPER ALLOY.

4. USAGE:  
 SUITABLE FOR STRANDED & SOLID WIRE 23AWG ~ 26 AWG.  
 (It can be used for the wire OD from Ø 0.93 ~ Ø1.04)



客户用产品图

BLADE:	E	EB	Y	YB	Z	A	AE	AB	EC
Drawing									
Mark					✓				
GOLD PLATING	3Mu"	3u"	6u"	15u"	30u"	50u"	CABLE TYPE	ROUND	FLAT
Mark						✓	Mark		

DIMENSION IN mm (Inch) TOLERANCE UNLESS OTHERWISE SPECIFIED		材 质 MATERIAL PC	图 号 DWG NO.
.X±0.20	.X°±5°	名 称 TITLE	
.XX±0.10	.XX°±2°	制 图 DRAWN Zach	比 例 SCALE 2/1
APPROVAL 审 核	核 对 CHECKED 钟均	张 数 SHEET 1/1	更 改 REV A